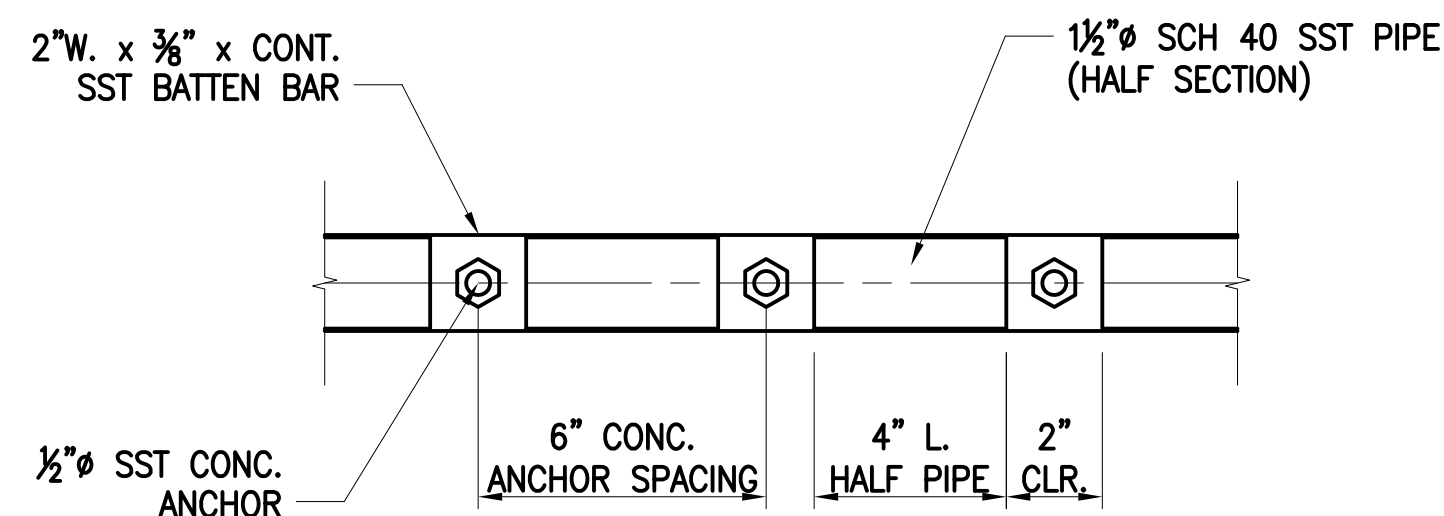


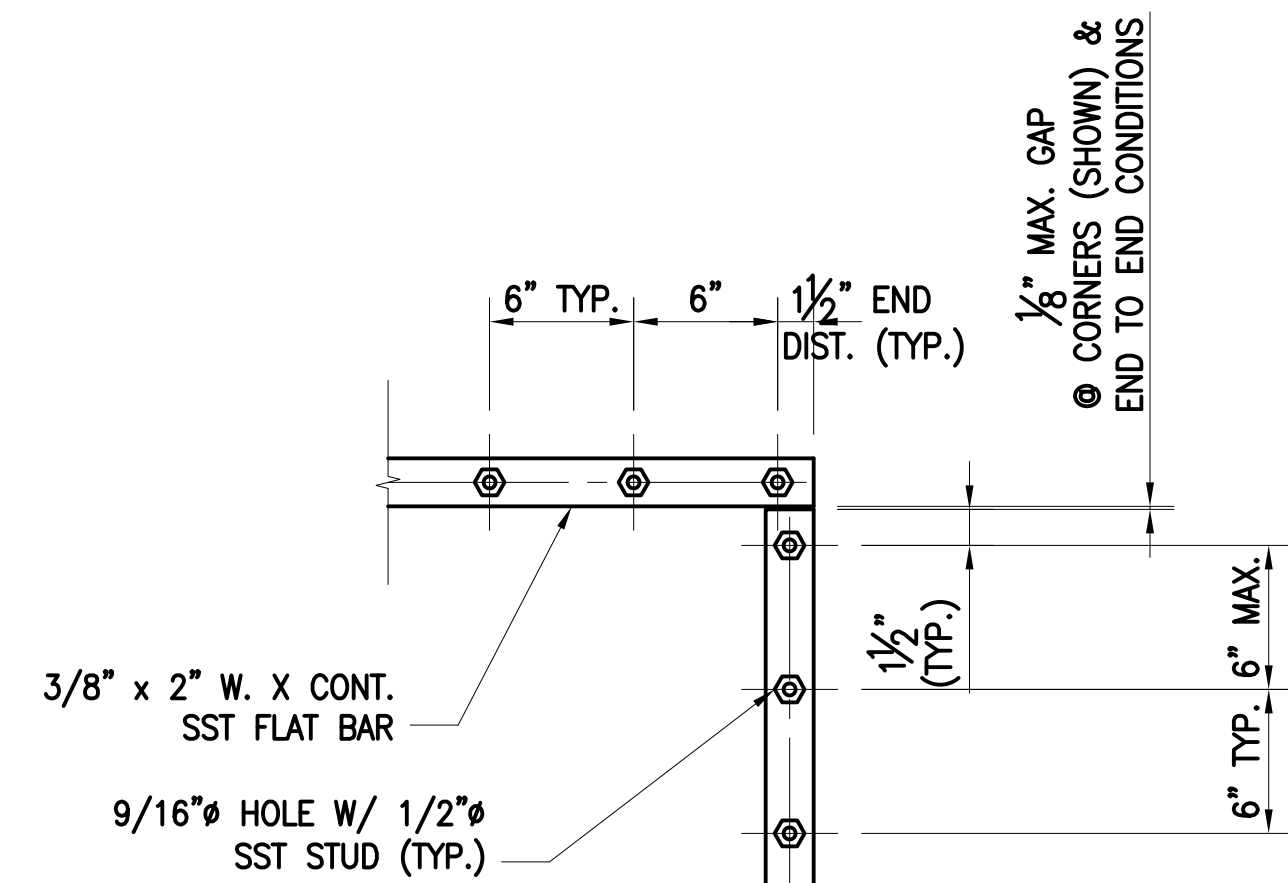
SECTION VIEW



PLAN VIEW

BATTEN BAR HALF PIPE COVER

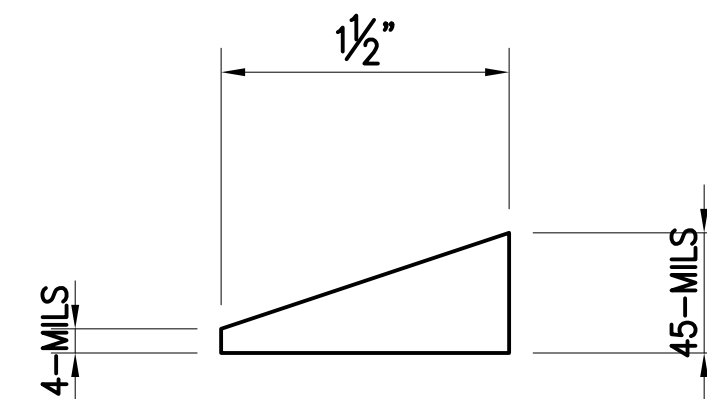
SCALE: 3" = 1'-0"



- NOTES:
1. HALF PIPE COVER AND BENT COVER PLATE NOT SHOWN FOR CLARITY.
 2. SEE DETAIL 8/- FOR HALF PIPE COVER INFORMATION.

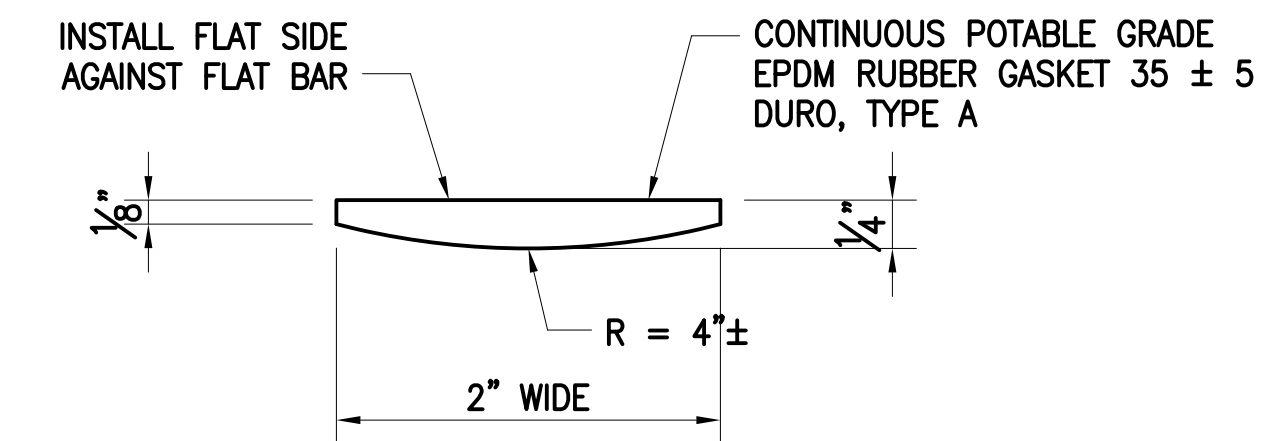
UNDERWATER BATTEN BAR

SCALE: 1 1/2" = 1'-0"



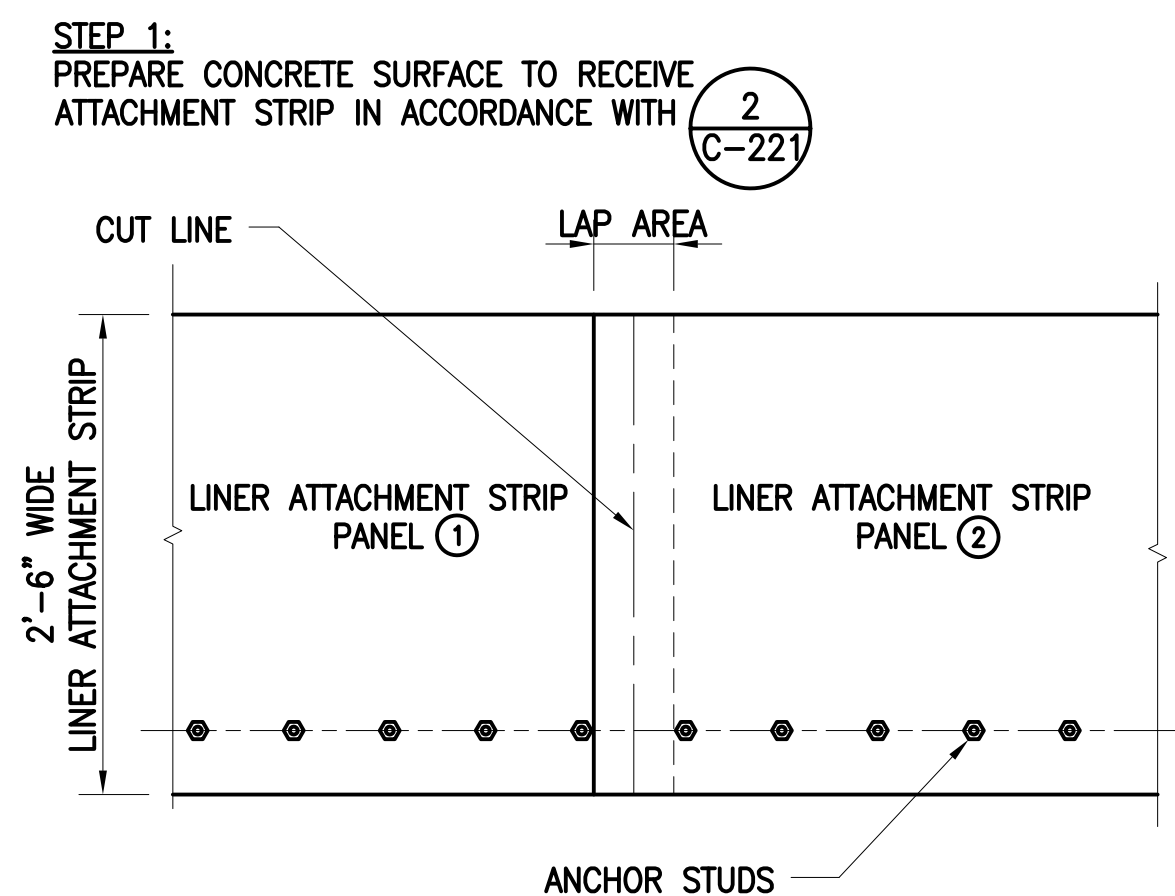
CSPE WEDGE

SCALE: NTS

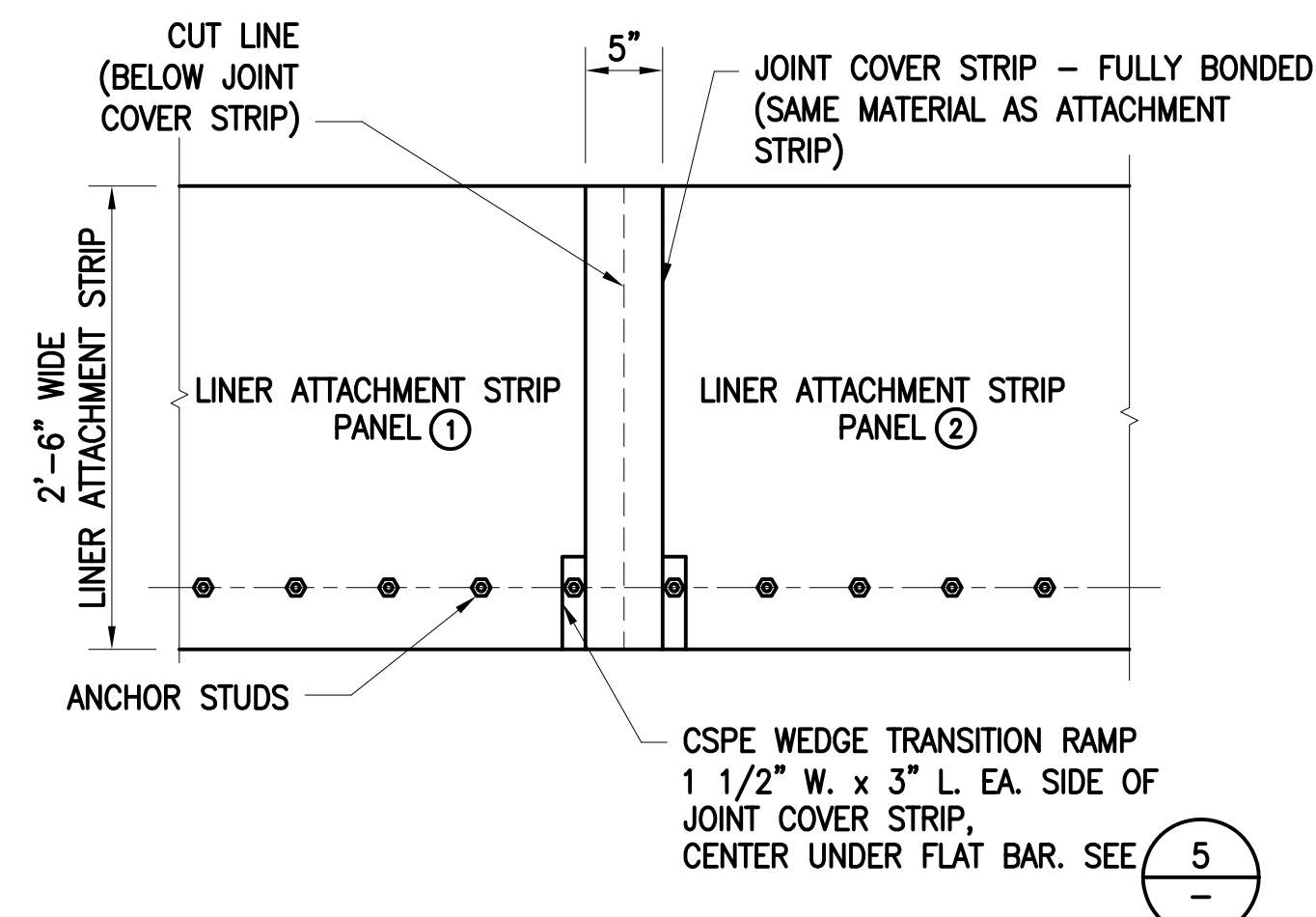


CURVED RUBBER GASKET

SCALE: 12" = 1'-0"



- STEP 2:
- AFTER INSTALLING ATTACHMENT STRIP 1 AND 2, MAKE A SINGLE CUT THROUGH BOTH STRIPS (MIDWAY BETWEEN BOLTS) IN THE LAP AREA AND DISCARD SEVERED ENDS.

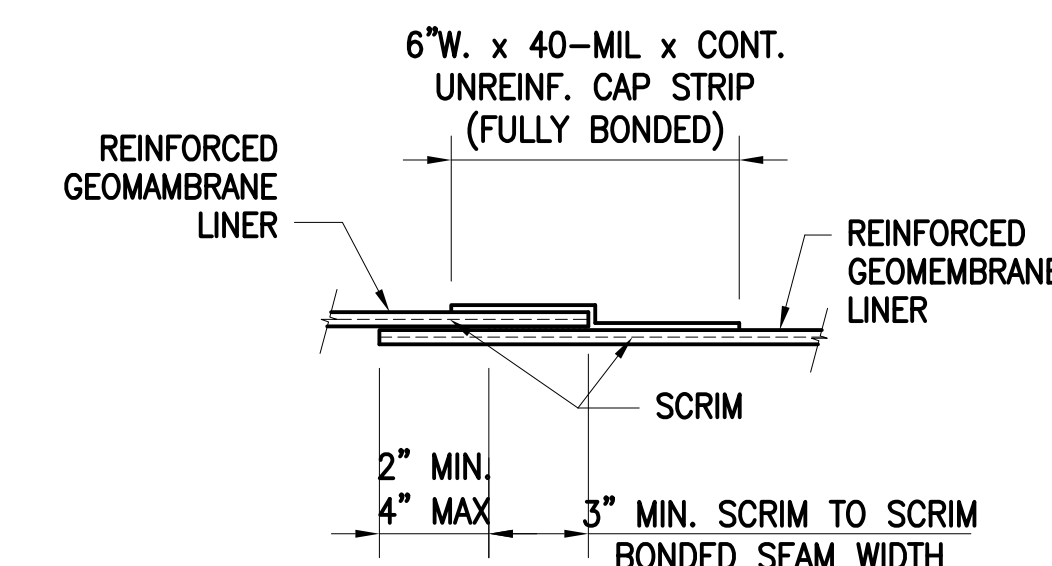


- STEP 3:
- APPLY 5" WIDE JOINT COVER STRIP OVER THE JOINT BEFORE APPLYING RUBBER GASKET AND FLAT BAR.

- NOTES:
1. SEAMS IN LINER ATTACHMENT STRIP SHALL BE HELD TO AN ABSOLUTE MINIMUM.

LINER STEP TRANSITION

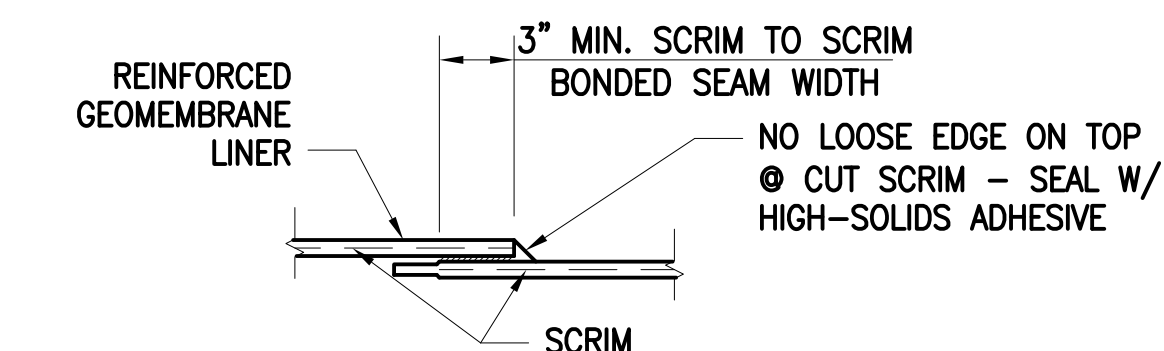
SCALE: NTS



TYPICAL LINER FIELD SEAM

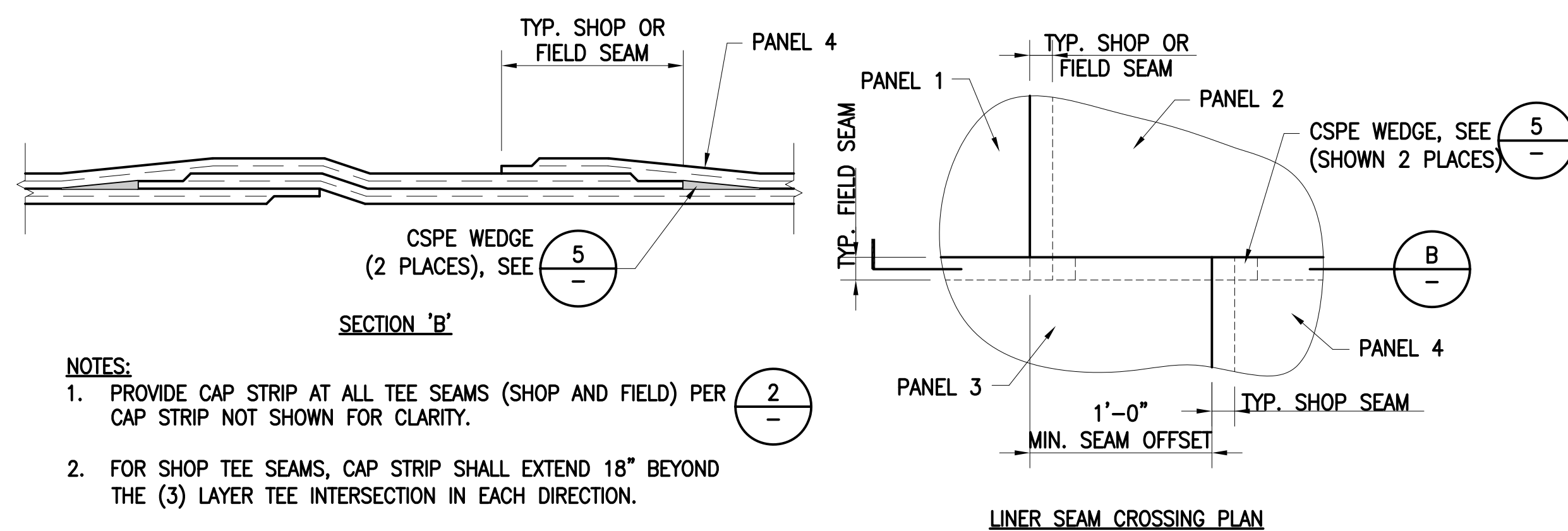
(WITH OR WITHOUT EXPOSED SCRIM)

SCALE: NTS



TYP. FACTORY SEAM W/O CUT EDGE

SCALE: NTS



TYPICAL TEE SEAM

SCALE: NTS

- NOTES:
1. PROVIDE CAP STRIP AT ALL TEE SEAMS (SHOP AND FIELD) PER CAP STRIP NOT SHOWN FOR CLARITY.
 2. FOR SHOP TEE SEAMS, CAP STRIP SHALL EXTEND 18" BEYOND THE (3) LAYER TEE INTERSECTION IN EACH DIRECTION.
 3. FOR FIELD SEAMS, PROVIDE CONTINUOUS CAP STRIP.



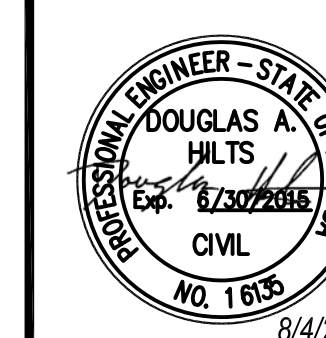
REVISION	DESCRIPTION	BY	APP	DATE
1	BID ADDENDUM 1, DARKEND LEADER DIMENSION LINES	HCG		9/14

WORK ORDER NO. 14-0003
 DESIGNED _____
 DRAWN _____
 DATE AUGUST 2014
 CHECKED _____
 SUBMITTED _____
 RECOMMENDED _____
 APPROVED _____



NOT REPRODUCIBLE
 PROPERTY OF TRUCKEE MEADOWS WATER AUTHORITY, RETURN UPON COMPLETION OF PROJECT (Per Homeland Security Act)

HIGHLAND RESERVOIR
RENO, NEVADA
LINER SEAMS



SHEET NUMBER
C-220
 20 OF 49