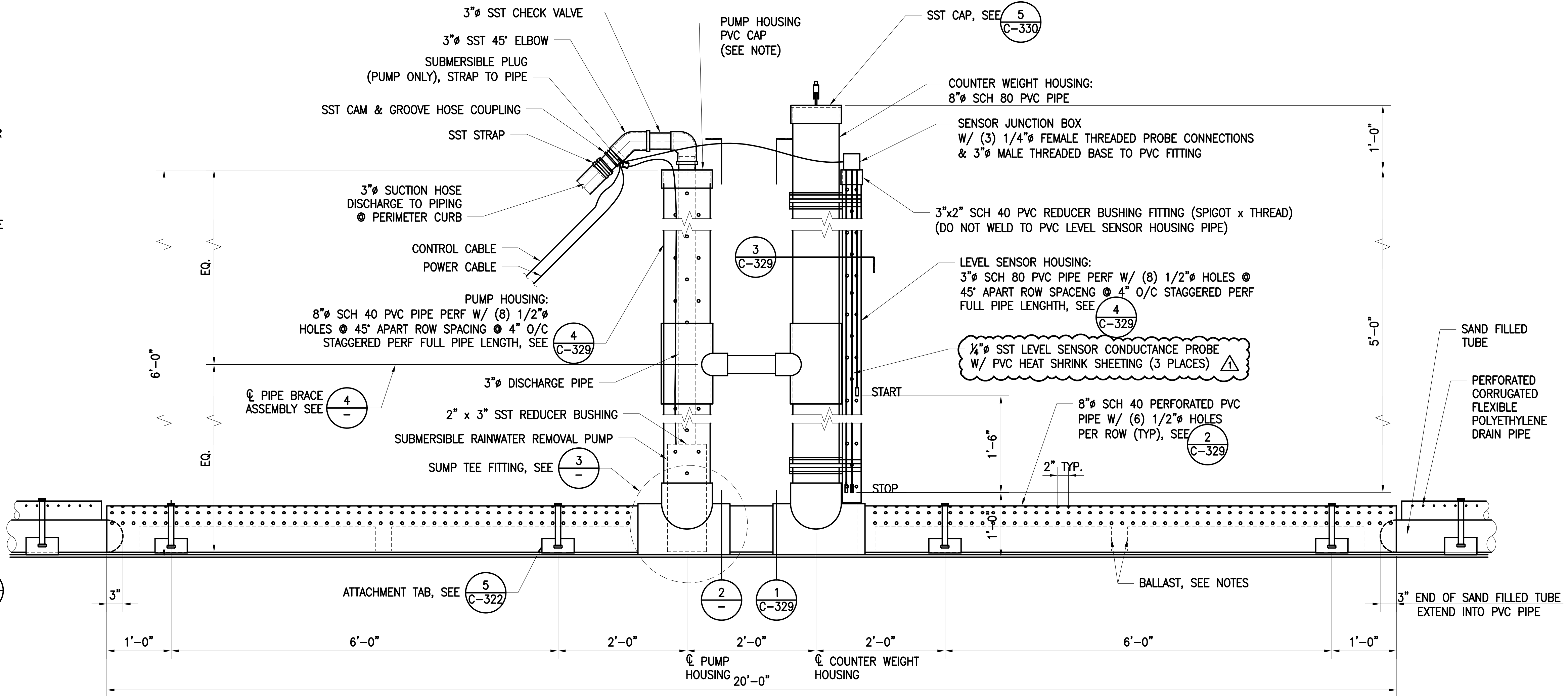
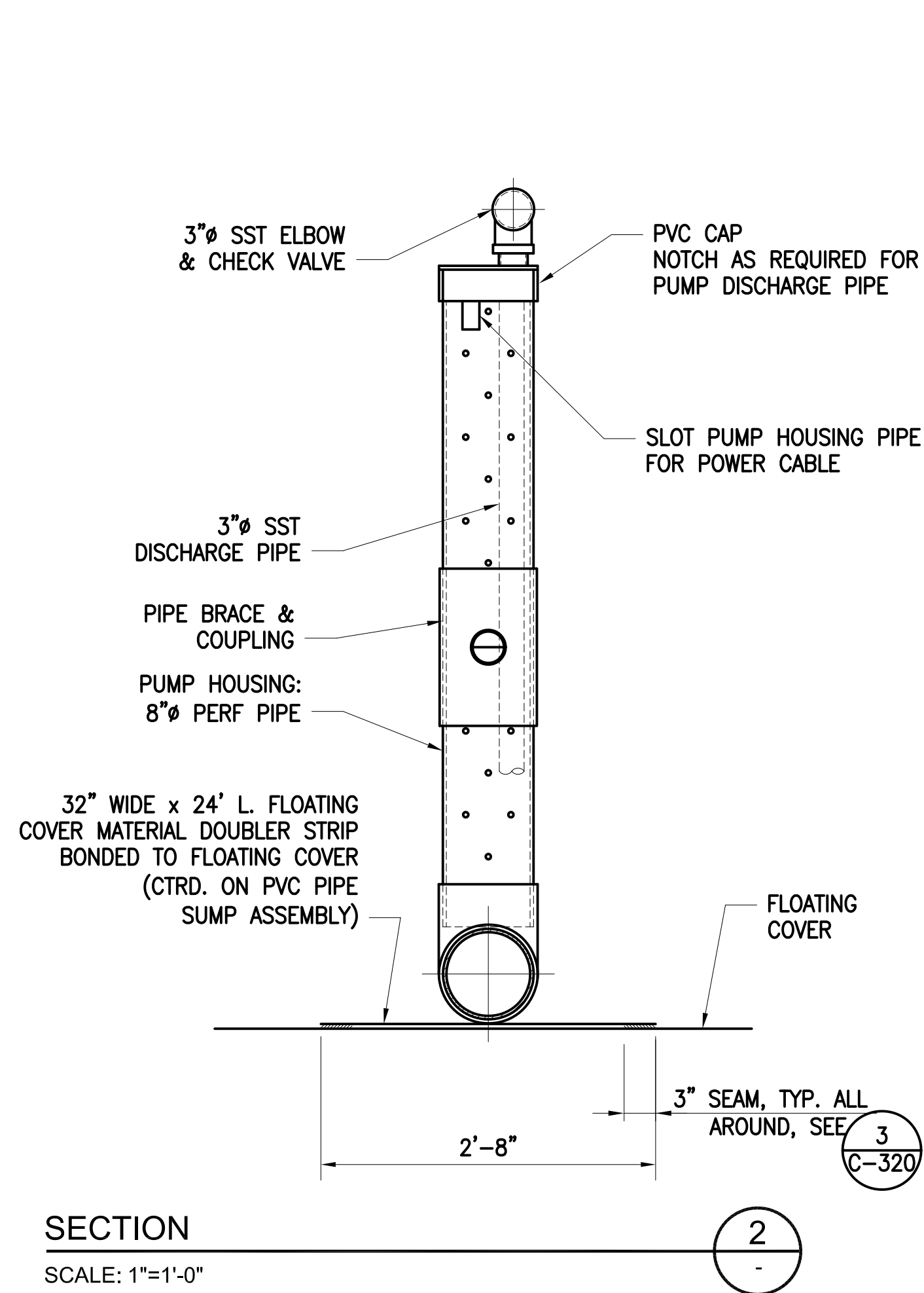


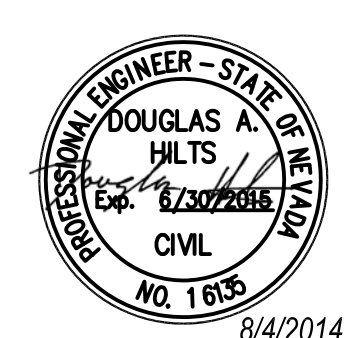
- NOTES:**
1. ALL STEEL SHALL BE STAINLESS STEEL TYPE 316, OR TYPE 316L WHERE WELDING REQUIRED.
 2. ALL PVC SHALL BE SCH 40, UNO.
 3. SOLVENT WELD ALL PVC CONNECTIONS, UNO.
 4. DO NOT SOLVENT WELD PUMP HOUSING CAP TO PUMP HOUSING PIPE. MACHINE I.D. OF PVC CAP TO O.D. OF PVC PIPE (WITH COATING) + 1/8".
 5. ALL PVC SHALL BE PAINTED W/ (2) 5-6 MILS DFT OF POLYURETHANE ENAMEL, PER SPECIFICATIONS. PAINT COLOR SHALL BE WHITE.
 6. BALLAST SHALL CONSIST OF (4) 150 LBS. WEIGHT SECTIONS EACH ENCASED IN 5" x 4'L. PVC PIPE SECTIONS. ALL STEEL SHALL BE EMBEDDED IN CONCRETE WITHIN THE PVC ENCASMENT. THE ENDS OF THE PIPE WEIGHT SECTIONS SHALL HAVE A ROPE TETHER TO THE OPEN END OF THE 8" PERF PVC SUMP ASSEMBLY PIPE SUCH THAT THE WEIGHTS MAY BE EASILY REMOVED.
 7. THE CONTRACTOR SHALL PROVIDE THE NUMBER OF PUMPS SHOWN ON THE DRAWINGS, PLUS ONE EXTRA.
 8. ROUND ALL EXPOSED EDGES OF PVC PIPES, FITTINGS & ACCESSORIES TO 1/8" RADIUS.
 9. SUBMERSIBLE PLUG SHALL BE PROVIDED FOR PUMP POWER CORDS. SUBMERSIBLE PLUG SHALL BE STRAPPED TO PUMP DISCHARGE PIPING WITH PLASTIC CABLE TIES. SEE ELECTRICAL DRAWINGS FOR SUBMERSIBLE PLUG REQUIREMENTS.



TRUCKEE MEADOWS WATER AUTHORITY
1365 CAPITAL BLVD. / PO BOX 30013
RENO, NEVADA 89520-3013
PH 775-834-8000 / FX 775-834-8003

NOT REPRODUCIBLE
PROPERTY OF TRUCKEE MEADOWS WATER AUTHORITY. RETURN UPON COMPLETION OF PROJECT (Per Homeland Security Act)

**HIGHLAND RESERVOIR
RENO, NEVADA
FLOATING COVER
RAINWATER REMOVAL PUMP**



SHEET NUMBER
C-328
40 OF 49

REVISION	DESCRIPTION	BY	APP	DATE
1	BID ADDENDUM 1, REVISED PROBE CALLOUT & NOTE	HCG		9/14

WORK ORDER NO.	14-0003
DESIGNED	
DRAWN	
DATE	AUGUST 2014
CHECKED	
SUBMITTED	
RECOMMENDED	
APPROVED	