

1355 Capital Blvd. • P.O. Box 30013 • Reno, NV 89520-3013
P 775.834.8080 • F 775.834.8003

Addendum No. 4

Truckee Meadows Water Authority Corporate Accessory Storage Building Addition

PWP Bid No. WA-2014-311

September 29, 2014

The following information, clarifications, changes and modifications are by reference incorporated into the bid documents for the above referenced project. Any work item or contract provision not changed or modified will remain in full force and effect. The bid date and time and construction schedule has changed (see Addendum No. 1).

CLARIFICATIONS, QUESTIONS AND RESPONSES

Clarification

Clarification No. 1: Revisions to C4.0 Civil Utility Plan (Attachment A):

Clarification No. 2: Sheet L3.1:

- On the irrigation legend, replace the brass gate valve for the mainline isolation with a curb stop ball valve.
- On the backflow preventer detail, use full port brass ¼ turn ball valves with resilient seats for the unit manual drain valves.

Clarification No. 3: Sheet L4.1:

- Detail 3, The detail is titled “CURB VAVE”, which is correct. A gate valve is still called out in the detail. Change to “CURB VALVE”.
- Detail 5, The filter assembly to be a Rainbird-100RBY
- Detail 5, The drip valve to be a Rainbird-100DVF
- Detail 8, Eliminate use of loops around trees and shrubs and hold drip run outs at 12” from main trunk of tree or shrub.

Clarification No. 4: On drawing C4.0, add a 2” tee with curb stop on the new 2” domestic line off of Wall Street. Tee and curb stop to be added just downstream of the domestic backflow preventer.

Questions and Responses

Question No. 1: Do we have to bid to retrofit fire sprinklers in the existing building as part of the new fire sprinkler system that will go in the new building?

Response to Question No. 1: Yes. Reference Sheet FP0.1.

Question No. 2: Please clarify: is the block is a premium color, Basalite #125 Artic White to match existing building.

Response to Question No. 2: Yes. Reference CMU Note Sheet A2.1.

Question No. 3: The prevailing wage rates provided in the spec book are different from the Nevada Labor Commissioner's website for the operating engineer group. Also since the bid date pushed to October 2nd we are required to use the 2014-2015 rates for projects bidding after October 1, 2014. Please advise. Thank you for your time.

Response to Question No. 3: Prevailing wages in effect on the date of bid opening apply. The 2014-2015 Prevailing wages for Washoe County, which were just published by the Nevada State Labor Commissioner's Office can be located http://www.laborcommissioner.com/prevailing_wage/2015/WASHOE.pdf and are applicable to this project.

1355 Capital Blvd. • P.O. Box 30013 • Reno, NV 89520-3013
P 775.834.8080 • F 775.834.8003

ATTACHMENT A



September 25, 2014

Civil Addendum TMWA Corporate Accessory Storage Building Addition

SHEET C4.0 Civil Utility Plan

Call out "CONST. YARD DRAIN CB#4" is changed to "CONST. TYPE 3 CB#4"

SHEET C4.0 Civil Utility Plan

The contractor shall install Xeripave Inserts within all catch basin listed below as part of this contract. This includes the cleaning of all catch basins, drop inlets and private storm drain piping. Reference Xeripave DETAIL A and DETAIL B attached.

Exist 4-R Catch Basin #6
Exist Type 3 Catch Basin #5
Exist Type 3-R Catch Basin #1
Const. Type 3 Catch Basin #4



PHOTO OF XERIPAVE TRAY SYSTEM DURING INSTALLATION

NOTE:

- MINIMUM CLEARANCE OF 2.5" BETWEEN TOP OF OVER FLOW PIPE AND BOTTOM OF GRATE
- TRAY ASSEMBLY BOLTS TO WALLS OF VAULT
- TRAY SYSTEM USED WITH CLOSED SIDED CONCRETE VAULT
- SYSTEM CAPTURES 100% OF DEBRIS AND TRASH GREATER THAN 5mm.

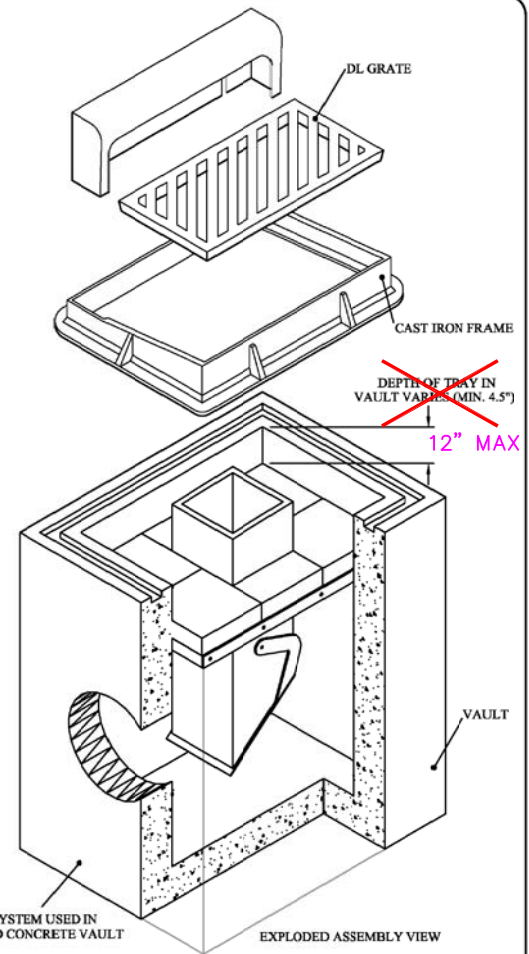
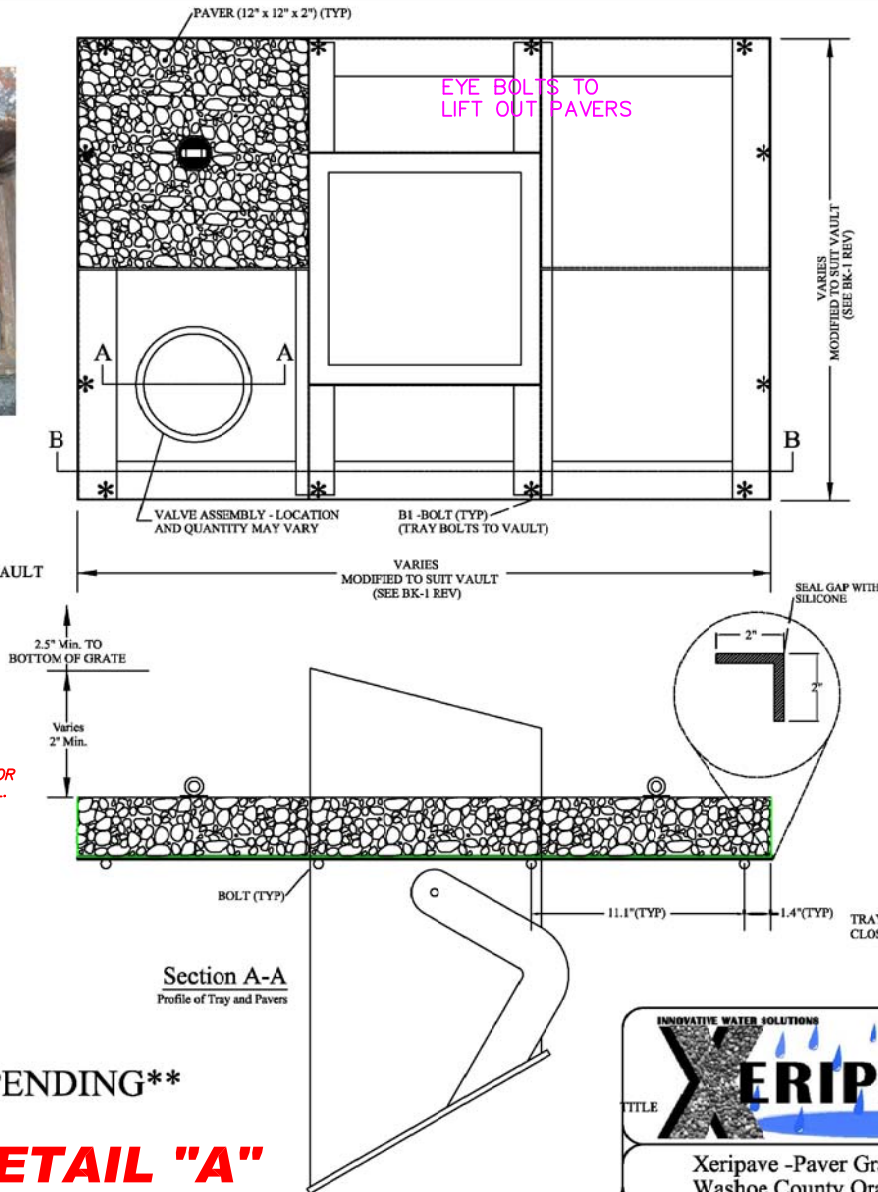
NOTE:
 XERIPAVE GRATE DETAIL PER WASHOE COUNTY HEALTH DEPARTMENT. GRATES SHALL BE INSTALLED ON ALL EXISTING CATCH BASINS/YARD DRAINS. FASTEN THE GRATE TO INSIDE OF CATCH BASIN, CENTERED BETWEEN THE BOTTOM OF THE CATCH BASIN GRATE AND THE TOP OF THE OUTLET PIPE. PAVER SHALL BE MIN. 3/4" TYPE STONE. FOR SPECIFICATIONS, ETC. CONTACT XERIPAVE OR WASHOE COUNTY HEALTH DEPARTMENT, VECTOR CONTROL.

NOTE:

CLEAN ALL CATCH BASINS, DROP INLETS AND PRIVATE STORM DRAIN PIPING

****PATENT PENDING****

DETAIL "A"



INNOVATIVE WATER SOLUTIONS

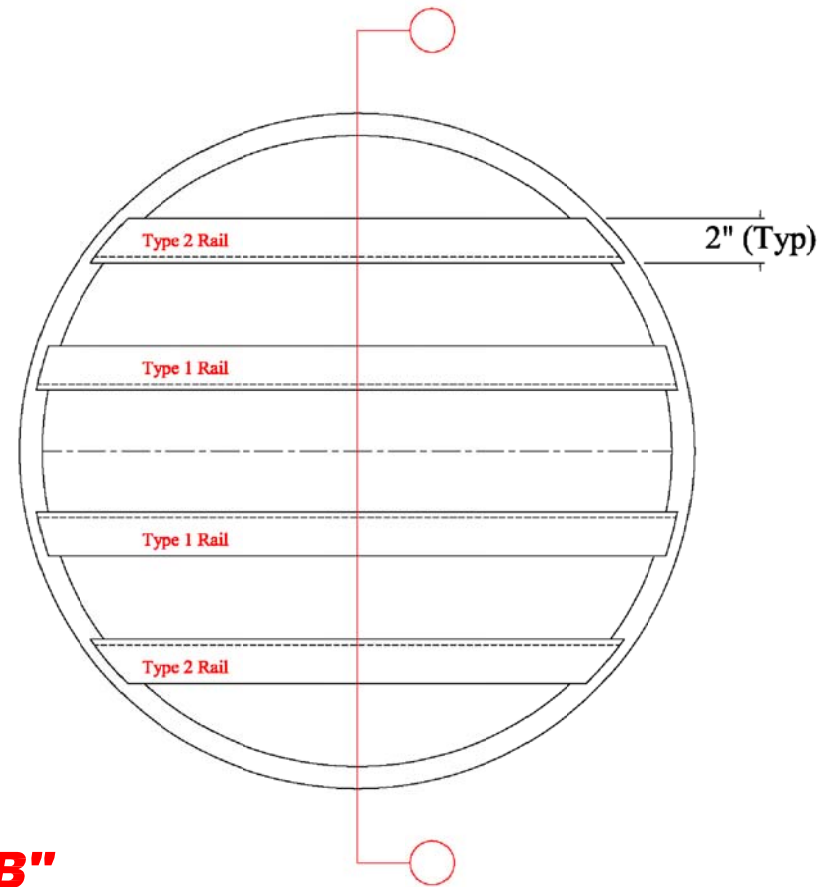
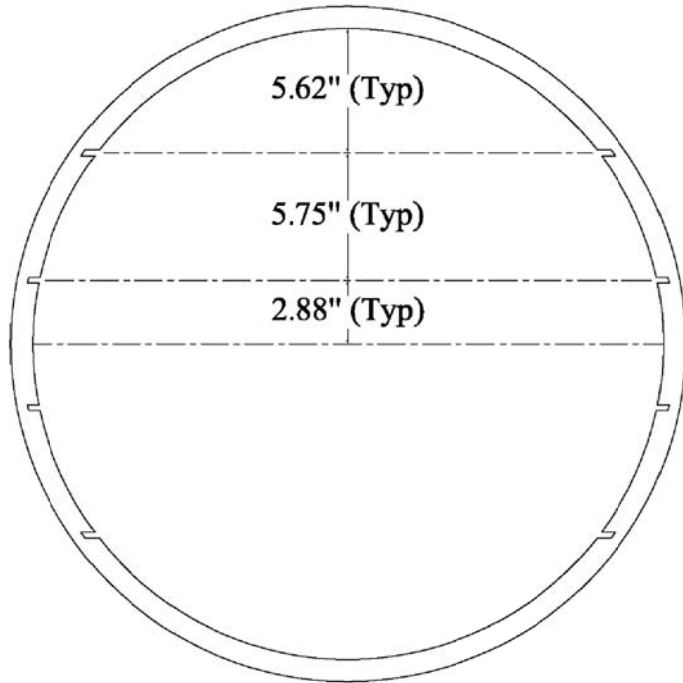
XERIPAVE

TITLE

815 N.E. 172nd Ave.
 VANCOUVER, WA 98684
 800-377-3877 PH
 360-694-0281 FAX

Xeripave -Paver Grate with Flapper Valve
 Washoe County Orange Book Spec

DRAWN BY: MLS
 DATE: 10/15/2010
 SCALE: NTS
 SHEET #: Washoe-02



DETAIL "B"

