
1355 Capital Blvd. • P.O. Box 30013 • Reno, NV 89520-3013
P 775.834.8080 • F 775.834.8003

Addendum No. 1
SUMMIT RIDGE PRS RELOCATION
PWP Bid No. WA-2015-009
October 23, 2014

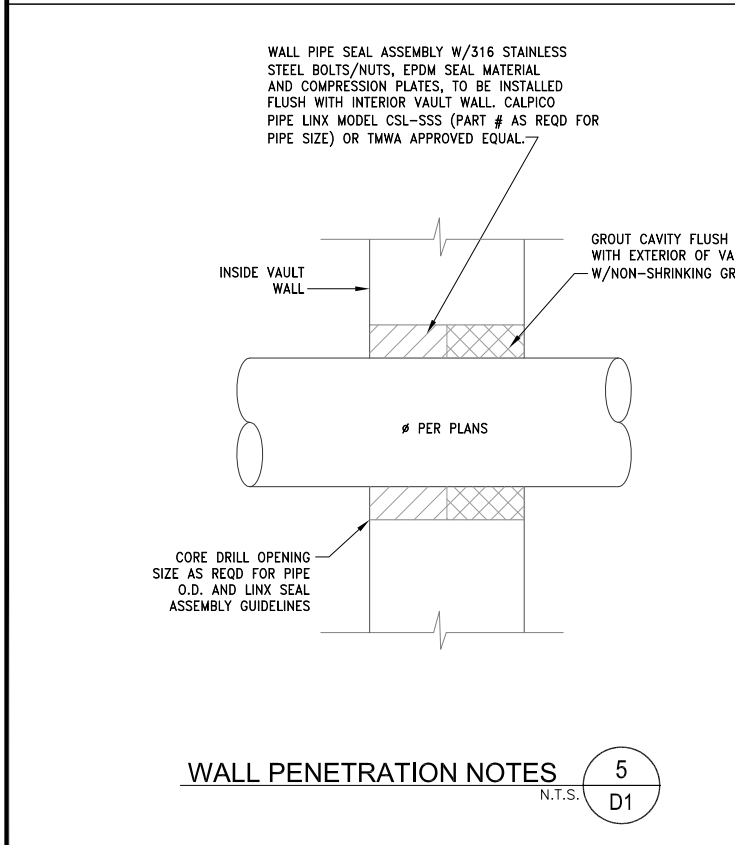
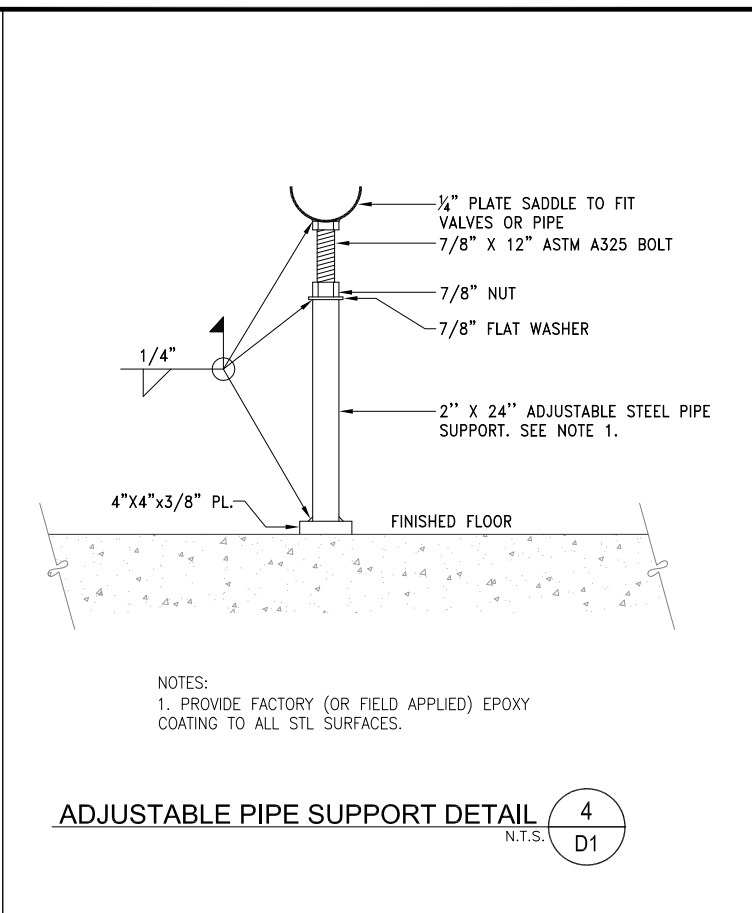
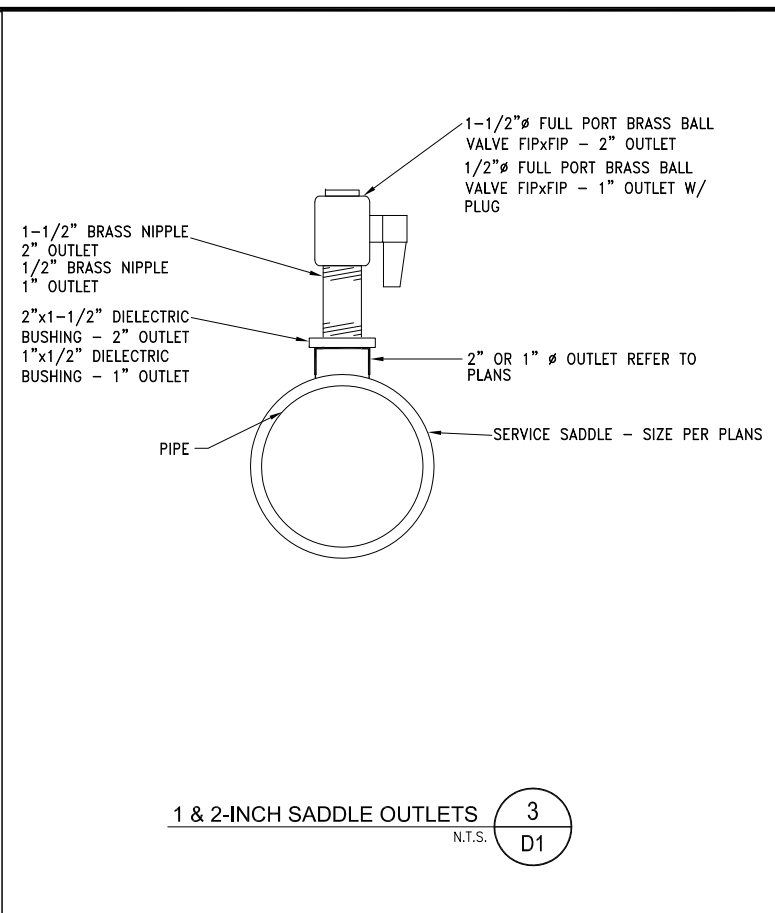
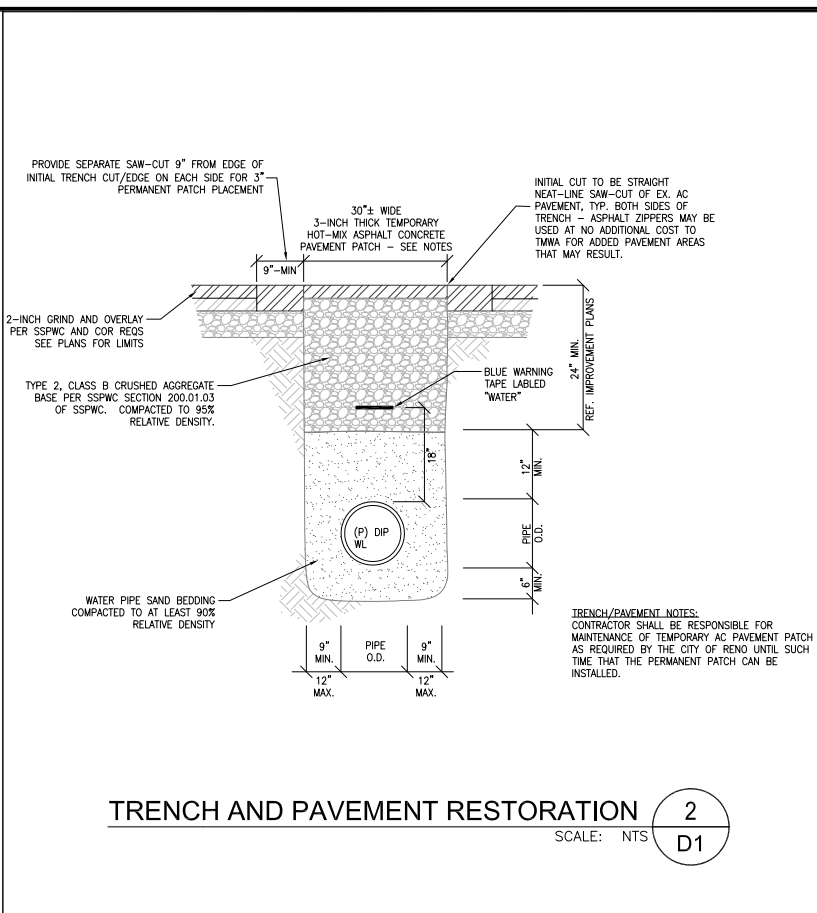
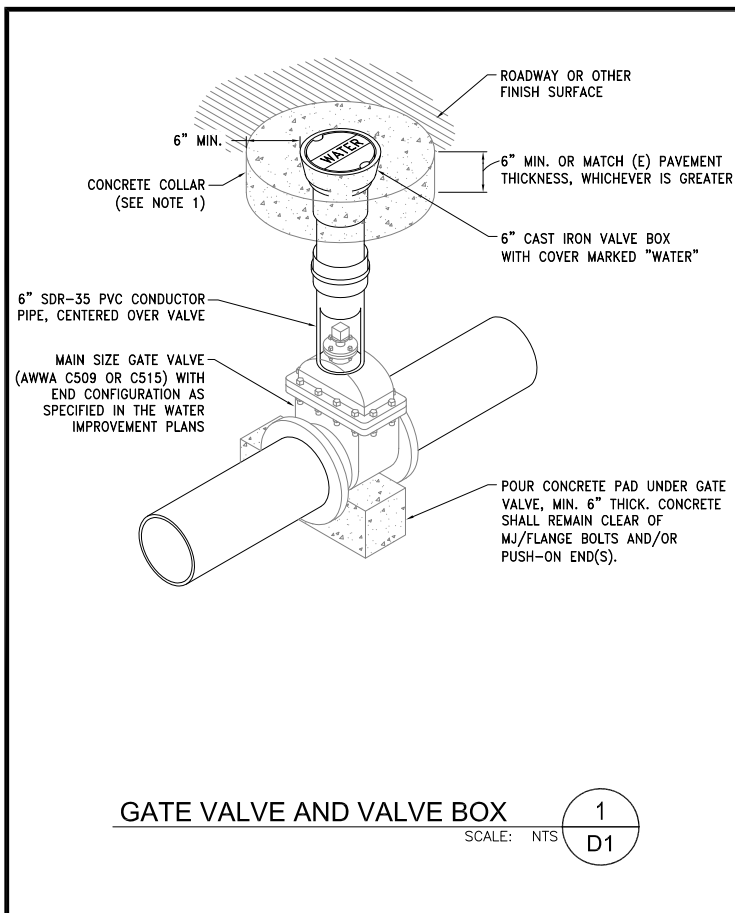
The following information, clarifications, changes and modifications are by reference incorporated into the bid documents for the above referenced project. Any work item or contract provision not changed or modified will remain in full force and effect. The bid date and time and construction schedule remain the same.

Summary of Addendum Items:

Drawing Revisions:

- Changes have been made to one plan sheet:
 - D1 – Modified detail 7/D1, refer to sheet D1 included in this Addendum for revised plan sheet.

END OF ADDENDUM 1



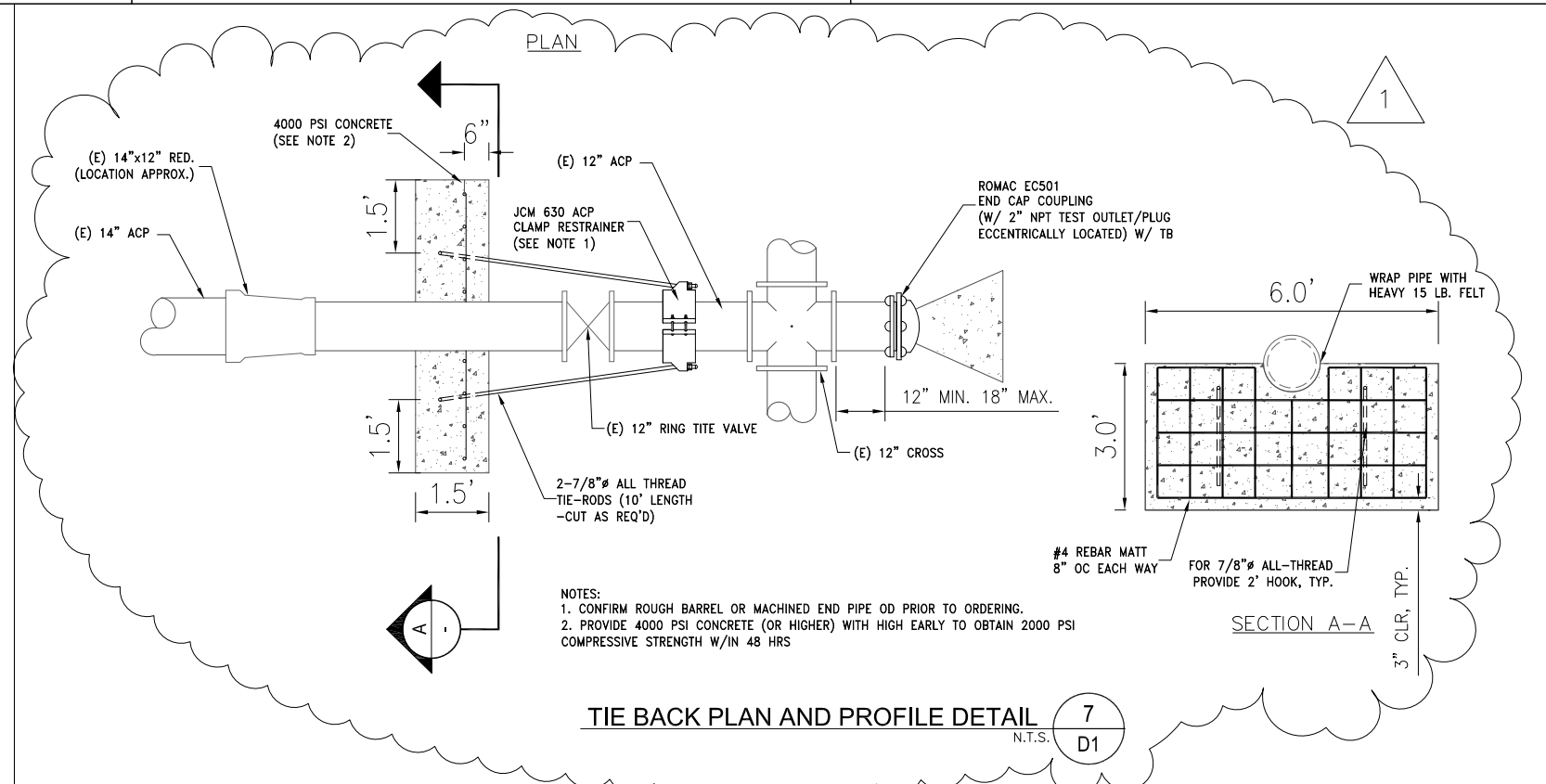
GEOMETRY GUIDELINES

$.5h \geq h \geq d$ $h \leq L \leq 2h$ $Ab = h \times L$

MAIN SIZE, INCHES	TEE BRANCH/ DEAD END	90° ELBOW	45° ELBOW	22.5° ELBOW
4	1.9	2.7	1.4	0.7
6	4.2	6.0	3.2	1.7
8	7.5	10.7	5.8	2.9
10	11.8	16.7	9.0	4.6
12	17.0	24.0	13.0	6.6

NOTES:
1. BEARING AREAS PROVIDED ARE BASED ON THE FOLLOWING TEST PRESSURE AND SOIL BEARING CAPACITY. IF DEVIATIONS IN FIELD ARE NEEDED, CONTACT ENGINEER TO DETERMINE ADJUSTMENTS. TEST PRESSURE PSI =150 SOIL BEARING CAPACITY, LBS/FT² =1500, SAFETY FACTOR =1.5.
2. USE MINIMUM 4 SACK, 2,000 PSI CONCRETE.
3. PLACEMENT OF THRUST BLOCKS TO BE INSPECTED/APPROVED BY TMWA INSEPECTOR PRIOR TO BACKFILL.
4. PLACEMENT OF BLOCKS AGAINST DISTURBED SOIL SHALL REQUIRE PRIOR COMPACTION TO 95% RELATIVE DENSITY.

THRUST BLOCK SCHEDULE/NOTES
SCALE: NTS **6**
D1



K:\2014-15_Capital Projects\16-0006 Summit Ridge PRS Relocate\Design\DWGs\16-0006-D1-SUMMIT RIDGE.dwg
Oct 22, 2014 1:54 pm

REVISION	DESCRIPTION	BY	APP	DATE
1	ADDENDUM #1 - REVISED DETAIL 7/D1	SWB		10/15

WORK ORDER NO.	16-0006
DESIGNED	AMS/SWB
DRAWN	AMS
DATE	SEPTEMBER 2014
CHECKED	KM
SUBMITTED	
RECOMMENDED	
APPROVED	SE

TRUCKEE MEADOWS WATER AUTHORITY

1355 CAPITAL BLVD. / PO BOX 30013
RENO, NEVADA 89520-3013
PH 775-834-8000 / FX 775-834-8003

NOT REPRODUCIBLE

PROPERTY OF TRUCKEE MEADOWS WATER AUTHORITY. RETURN UPON COMPLETION OF PROJECT (Per Homeland Security Act)

SUMMIT RIDGE PRS RELOCATION

CIVIL DETAILS

PROFESSIONAL ENGINEER-STATE OF NEVADA

SCOTT W. BENEDICT
EXP. 12/31/14
CIVIL
No. 14648

SHEET NUMBER

D1

6 OF 7