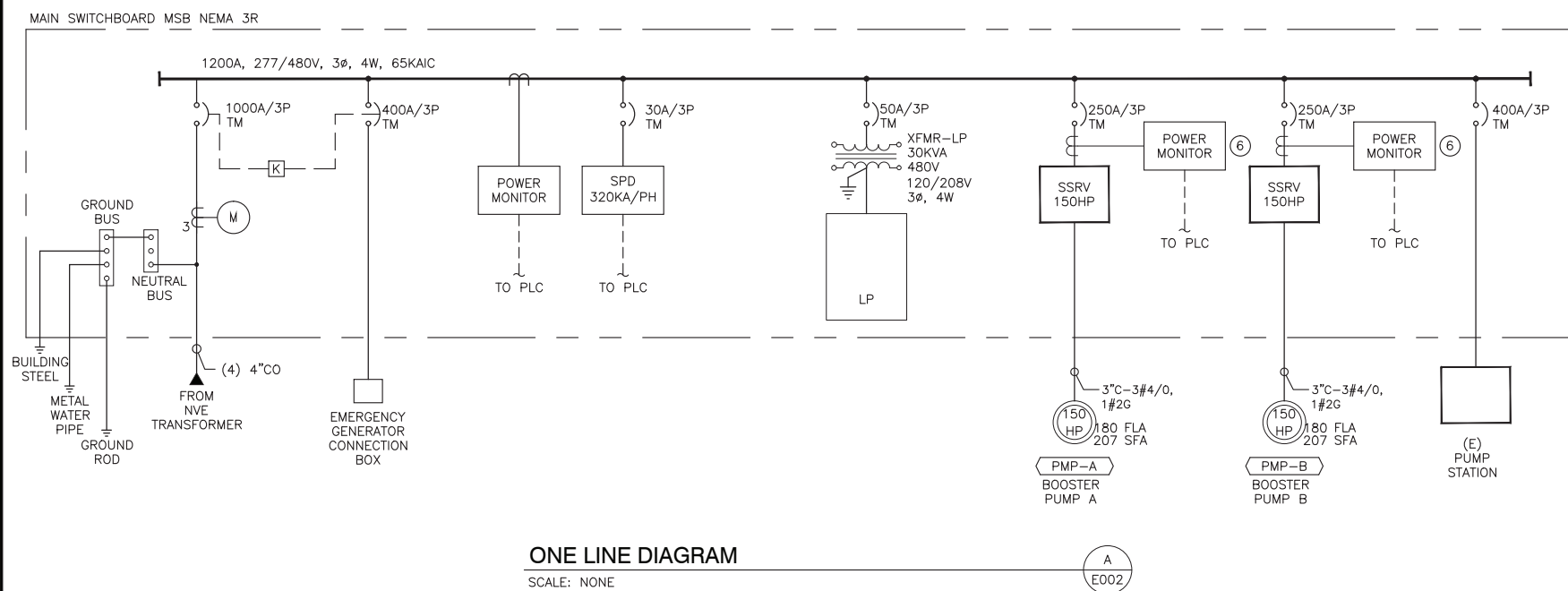
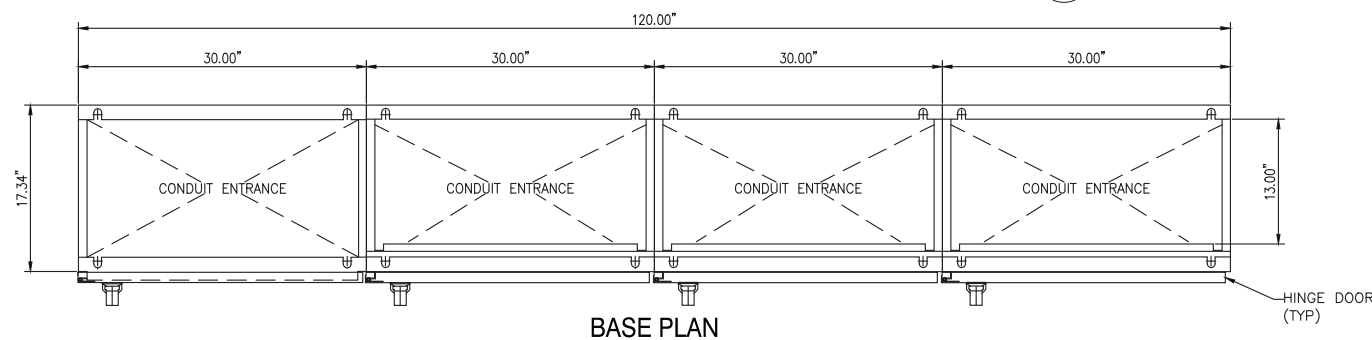


DRAWING INCLUDED FOR INFORMATION ONLY
SERVICE/CONTROL PEDESTAL IS TMWA
SUPPLIED CONTRACTOR TO INSTALL

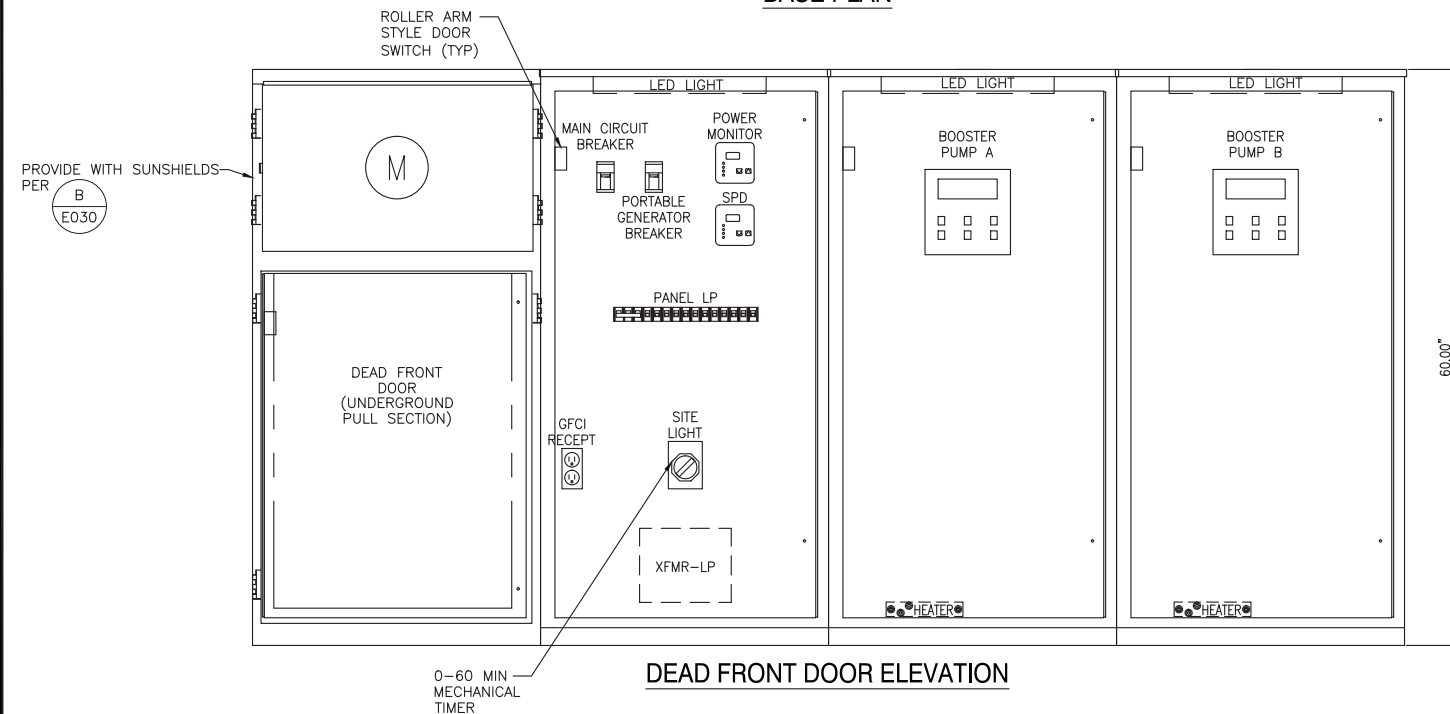


ONE LINE DIAGRAM

SCALE: NONE



BASE PLAN



DEAD FRONT DOOR ELEVATION

LOAD CALCULATION

LOAD CENTER: MSB ZOLEZZI 480 VAC, 3 PHASE 4 WIRE

EQUIPMENT NUMBER	MOTOR HP	EQUIPMENT DESCRIPTION	CONNECTED		UTILITY		GENERATOR	
			LOAD (AMPS)	QTY	LOAD (KVA)	RUN QTY	LOAD (KVA)	RUN QTY
PMP-A, B	150	SSRV BOOSTER PUMP	180	2	299.3	2	299.3	0
	30	CB EXISTING BUILDING LOADS	40	1	33.3	1	33.3	0
LP		CB LIGHTING PANEL LP	3	1	2.1	1	2.1	0
	125	SSRV EXISTING WELL PUMP	156	1	129.7	1	129.7	0
	125	CB EXISTING BOOSTER PUMP	156	1	129.7	1	129.7	0
SUBTOTAL					594.0		594.0	0.0
LARGEST MOTOR @ 25%							37.4	
TOTAL							631.4	0.0

3 PHASE CURRENT 760 AMPS
100% MAXIMUM LOAD CURRENT
CALCULATED SERVICE SIZE 760 AMPS
MAIN BREAKER SIZE 1000 AMPS
% MAIN BREAKER LOAD 76%

PANEL SCHEDULE - LP

LOCATION MSB VOLTAGE 120Y/208V TRIM SURFACE MAIN BKR VLO SYSTEM 3Ø 4W BUS RATING 225A

CKT	LOAD	VA	PHASE LOADS-AMPS			CB	AMPS	VA	LOAD	MAINT RCFEPT	CKT
			A	B	C						
1	SITE LIGHT	500	4.2	20.1	5.7	20.1	1.5	180		2	
3	PANEL LIGHTS	200	1.7	20.1	11.7	20.1	10.0	1200		4	
5	RECEPTACLE AT LIGHT POLE		0.0	20.1		20.1	10.0	1200		6	
7	SPACE		0.0	20.1	0.0	20.1	0.0			8	
9	SPACE		0.0	20.1	0.0	20.1	0.0			10	
11	SPACE		0.0	20.1	0.0	20.1	0.0			12	
13			0.0							14	
15					0.0					16	
17						0.0				18	
19			0.0							20	
21					0.0					22	
23						0.0				24	

Notes:
(L) Lockout Provision Required
(H) HACR - Rated Breaker
(GFI) Ground Fault Interrupt Rated Breaker
(AFI) Arc-Fault Interrupt Rated Breaker

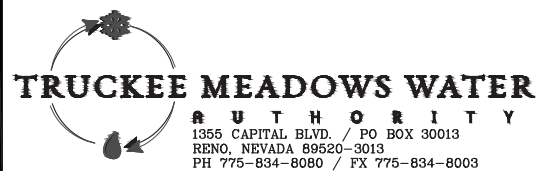
PHASE LOADS			AVERAGE	9 A
62%	128%	110%	TOTAL	3280 VA

NOTES:

- PANEL DIMENSIONS ARE MINIMUMS. PROVIDE PANELS SIZED PER NVE REQUIREMENTS AND RATINGS PER ONE-LINE DIAGRAM.
- PANELS SHALL BE NEMA 3R, RAIN-TIGHT AND DUST TIGHT.
- ALL NUTS, BOLTS SCREWS AND HINGES SHALL BE STAINLESS STEEL.
- PANELS SHALL BE UL LISTED.
- PANELS SHALL BE PAINTED WHITE.
- TMWA SUPPLIED EQUIPMENT CONTRACTOR TO INSTALL.

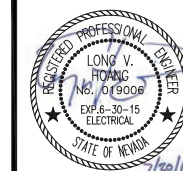
REVISION	DESCRIPTION	BY	APP	DATE
▲	ADDENDUM #2	LHV	LHV	8/26/15

WORK ORDER NO. 10-0002
DESIGNED: LHV
DRAWN: HAM
DATE: AUGUST 2015
CHECKED:
SUBMITTED:
RECOMMENDED:
APPROVED:



NOT REPRODUCIBLE
PROPERTY OF TRUCKEE MEADOWS WATER AUTHORITY, RETURN UPON COMPLETION OF PROJECT (Per Homeland Security Act)

TMWA ARROWCREEK DROUGHT RESPONSE DESIGN PROJECT
ZOLEZZI LANE BPS ONE-LINE DIAGRAM AND LOAD CALCULATIONS

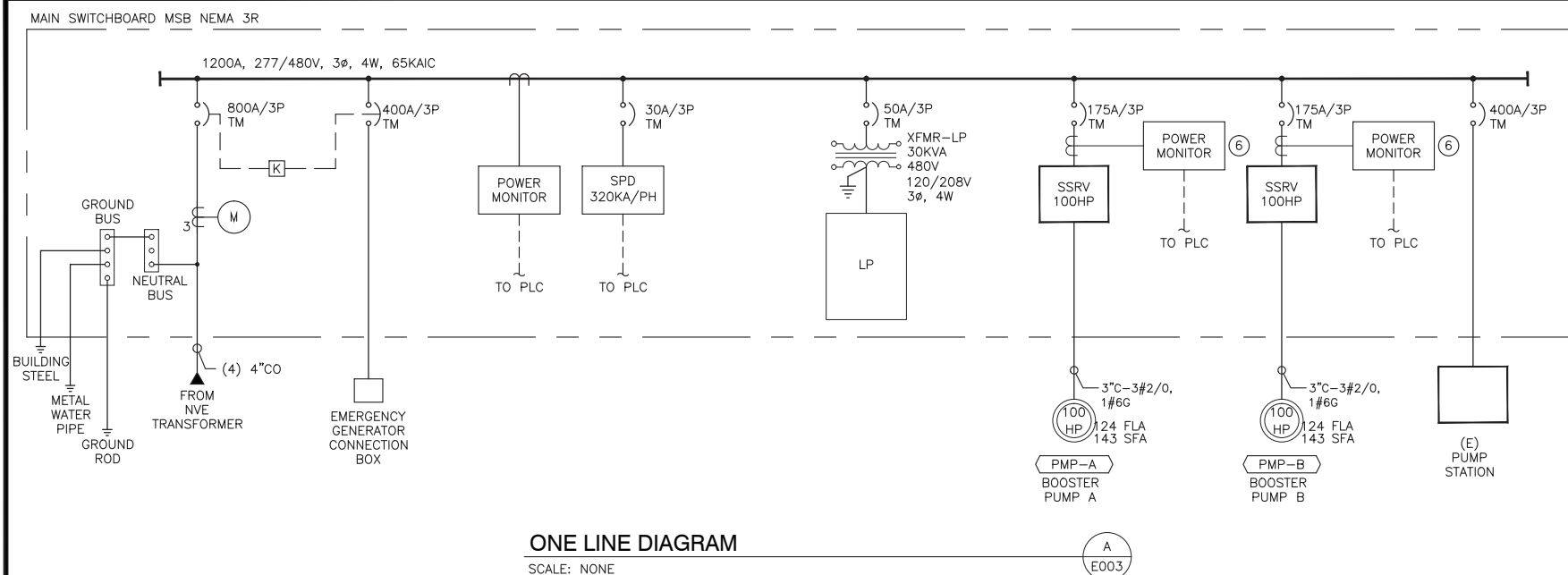


SHEET NUMBER

E002

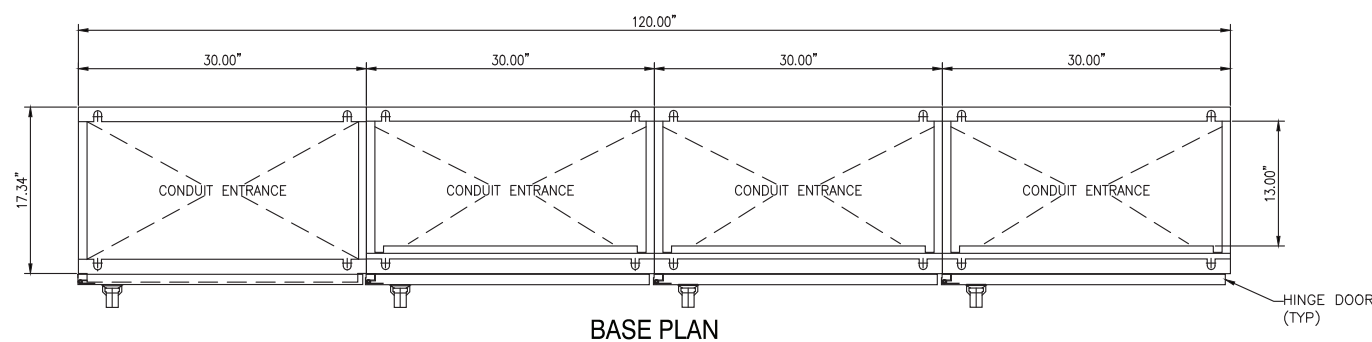
67 OF 90

DRAWING INCLUDED FOR INFORMATION ONLY
SERVICE/CONTROL PEDESTAL IS TMWA
SUPPLIED CONTRACTOR TO INSTALL

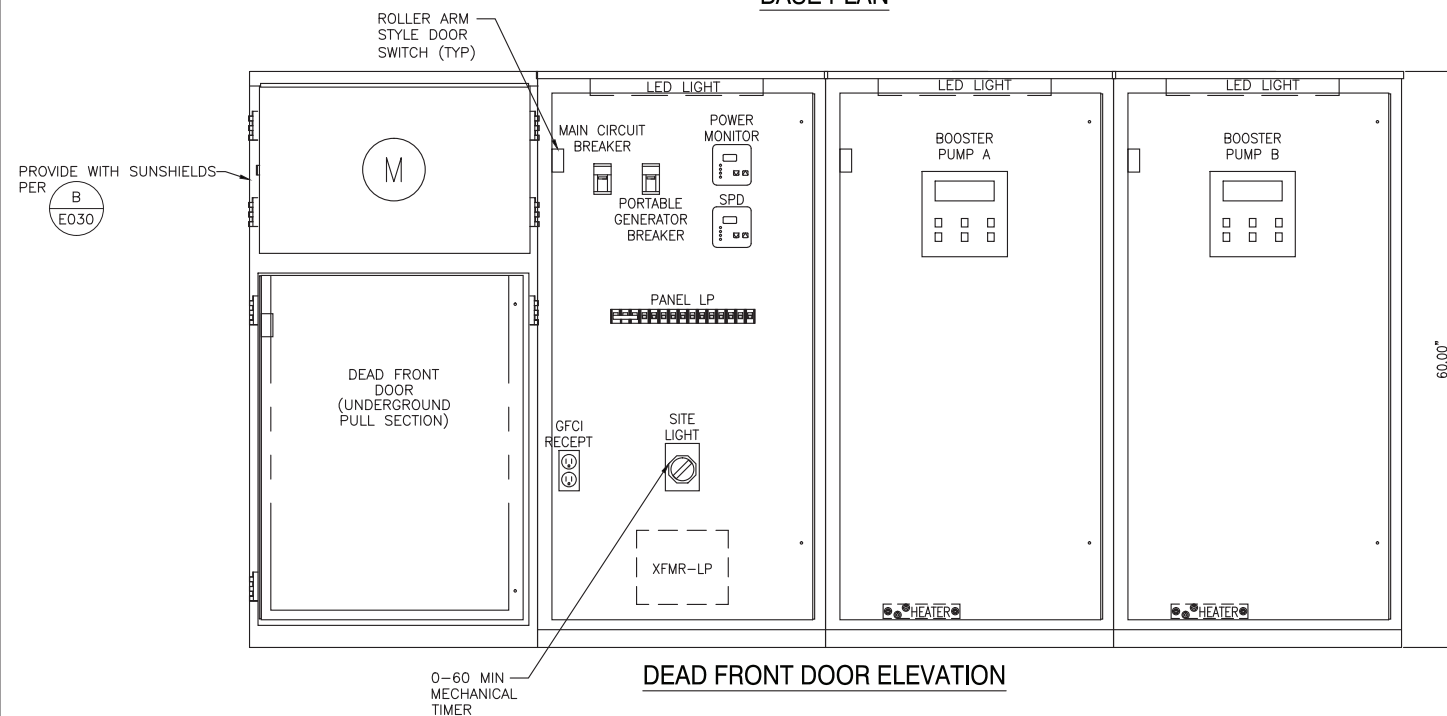


ONE LINE DIAGRAM

SCALE: NONE



BASE PLAN



DEAD FRONT DOOR ELEVATION

LOAD CALCULATION

LOAD CENTER: MSB ARROWCREEK 480 VAC, 3 PHASE 4 WIRE

EQUIPMENT NUMBER	MOTOR HP	MOTOR CONTROL	EQUIPMENT DESCRIPTION	CONNECTED LOAD		UTILITY		GENERATOR	
				LOAD (AMPS)	QTY	LOAD (KVA)	RUN QTY	LOAD (KVA)	RUN QTY
PMP-A, B	100	SSRV	BOOSTER PLMP	124	2	206.2	2	206.2	0
	30	CB	EXISTING BUILDING LOADS	40	1	33.3	1	33.3	0
LP		CB	LIGHTING PANEL LP	3	1	2.1	1	2.1	0
	125	SSRV	EXISTING WELL PUMP	156	1	129.7	1	129.7	0
	125	CB	EXISTING BOOSTER PUMP	156	1	129.7	1	129.7	0
SUBTOTAL						500.9		500.9	0.0
LARGEST MOTOR @ 25%								32.4	0.0
TOTAL								533.3	0.0

3 PHASE CURRENT 642 AMPS
100% MAXIMUM LOAD CURRENT
CALCULATED SERVICE SIZE 642 AMPS
MAIN BREAKER SIZE 800 AMPS
% MAIN BREAKER LOAD 80%

PANEL SCHEDULE - LP

LOCATION MSB VOLTAGE 120V/208V TRIM SURFACE MAIN BKR VLO SYSTEM 3φ, 4W BUS RATING 225A

CKT	LOAD	PHASE LOADS-AMPS			CB	AMPS	VA	LOAD	CKT
		A	B	C					
1	SITE LIGHT	500	4.2	20"	5.7	20"1	1.5	180	2
3	PANEL LIGHTS	200	1.7	20"		20"1	10.0		4
5	RECEPTACLE AT LIGHT POLE	180	1.5	20"		20"1	10.0		6
7	SPACE	0.0	0.0	20"	3.0	20"1	0.0		8
9	SPACE	0.0	0.0	20"		20"1	0.0		10
11	SPACE	0.0	0.0	20"		20"1	0.0		12
13					3.0				14
15						0.0			16
17						0.0			18
19					3.0				20
21						0.0			22
23						0.0			24

Notes:
(L) Lockout Provision Required
(H) HACR - Rated Breaker
(GFI) Ground Fault Interrupt Rated Breaker
(AFI) Arc-Fault Interrupt Rated Breaker

PHASE LOADS	AVERAGE	TOTAL
59%	121%	120%
		10 A
		3460 VA

NOTES:

- PANEL DIMENSIONS ARE MINIMUMS. PROVIDE PANELS SIZED PER NVE REQUIREMENTS AND RATINGS PER ONE-LINE DIAGRAM.
- PANELS SHALL BE NEMA 3R, RAIN TIGHT AND DUST TIGHT.
- ALL NUTS, BOLTS SCREWS AND HINGES SHALL BE STAINLESS STEEL.
- PANELS SHALL BE UL LISTED.
- PANELS SHALL BE PAINTED WHITE.
- TMWA SUPPLIED EQUIPMENT CONTRACTOR TO INSTALL.

REVISION	DESCRIPTION	BY	APP	DATE
▲	ADDENDUM #2	Lvh	Lvh	8/26/15

WORK ORDER NO.	10-0002
DESIGNED	Lvh
DRAWN	HAM
DATE	AUGUST 2015
CHECKED	
SUBMITTED	
RECOMMENDED	
APPROVED	

TRUCKEE MEADOWS WATER AUTHORITY

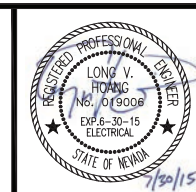
1355 CAPITAL BLVD. / PO BOX 30013
RENO, NEVADA 89520-3013
PH 775-834-8080 / FX 775-834-8003

NOT REPRODUCIBLE

PROPERTY OF TRUCKEE MEADOWS WATER AUTHORITY, RETURN UPON COMPLETION OF PROJECT (Per Homeland Security Act)

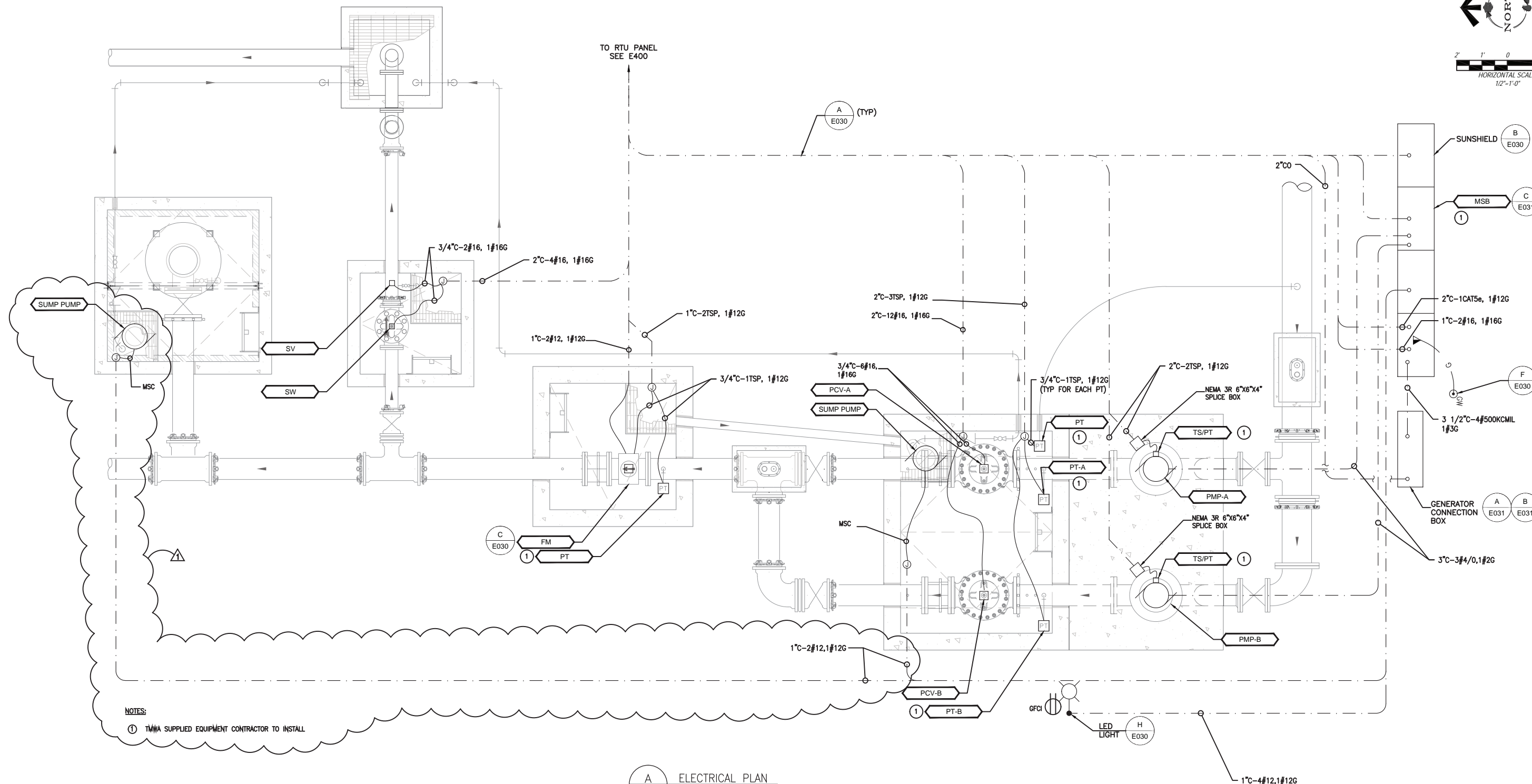
TMWA ARROWCREEK DROUGHT RESPONSE DESIGN PROJECT

ARROW CREEK BPS ONE-LINE DIAGRAM AND LOAD CALCULATIONS





HORIZONTAL SCALE
1/2" = 1'-0"

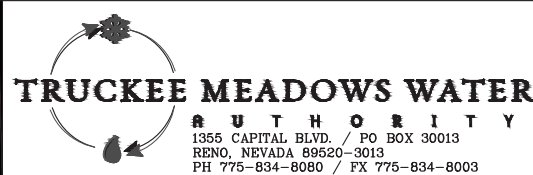


NOTES:
① TMWA SUPPLIED EQUIPMENT CONTRACTOR TO INSTALL

A ELECTRICAL PLAN
E401 1/2" = 1'-0"

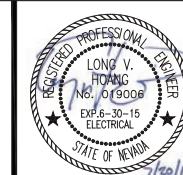
REVISION	DESCRIPTION	BY	APP	DATE
△	ADDENDUM #2	LVH	LVH	8/26/15

WORK ORDER NO. 10-0002
DESIGNED LVH
DRAWN HAM
DATE AUGUST 2015
CHECKED
SUBMITTED
RECOMMENDED
APPROVED



NOT REPRODUCIBLE
PROPERTY OF
TRUCKEE MEADOWS WATER
AUTHORITY, RETURN UPON
COMPLETION OF PROJECT
(Per Homeland Security Act)

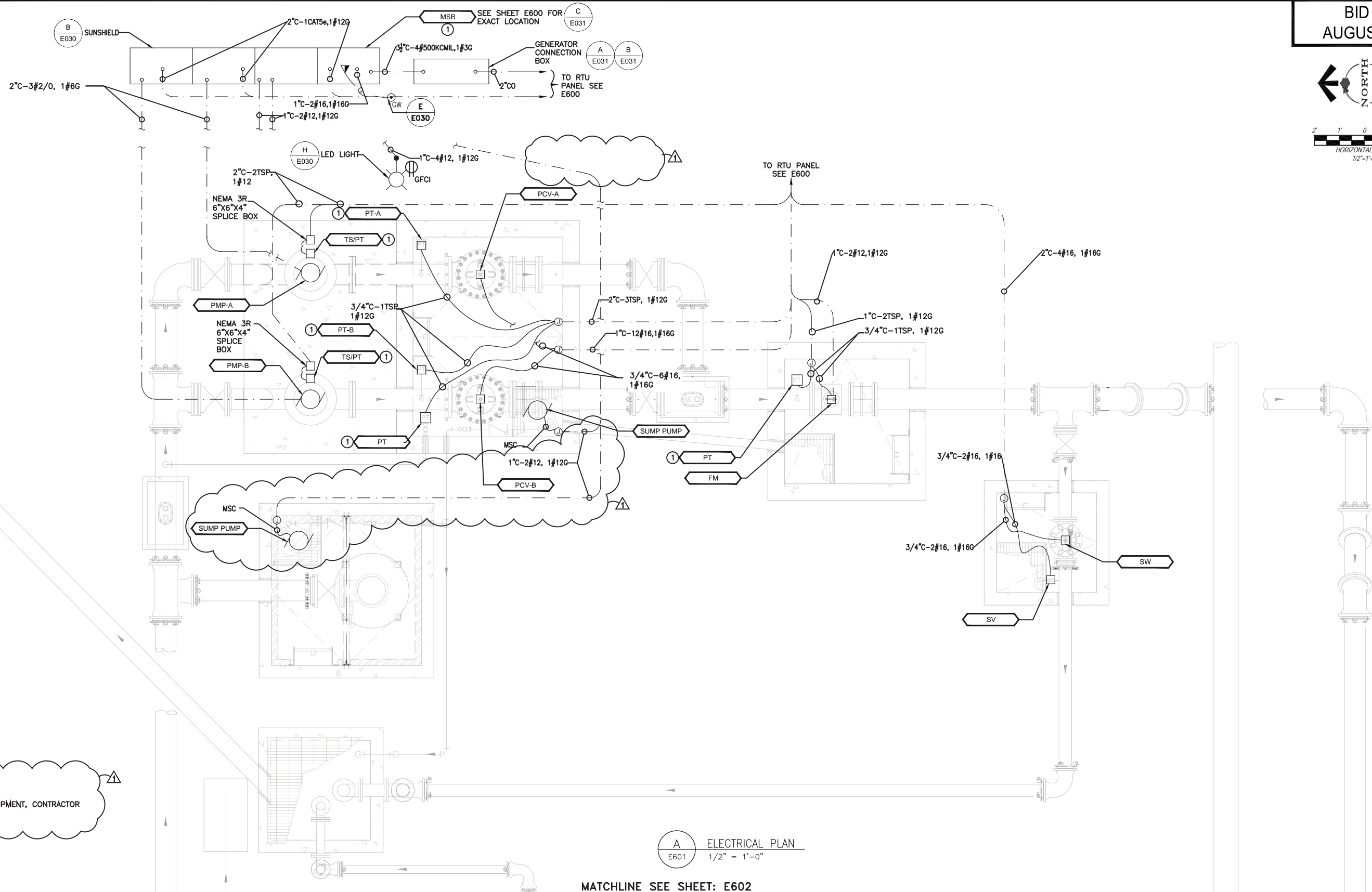
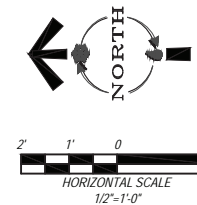
**TMWA ARROWCREEK DROUGHT RESPONSE DESIGN
PROJECT**
**NEW ZOLEZZI LANE BPS
ELECTRICAL PLAN**



SHEET NUMBER

E401

78 OF 90



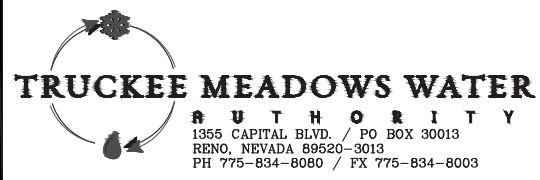
NOTES:
① TMWA SUPPLIED EQUIPMENT, CONTRACTOR TO INSTALL.

A ELECTRICAL PLAN
E601 1/2" = 1'-0"

MATCHLINE SEE SHEET: E602

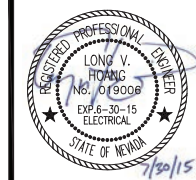
REVISION	DESCRIPTION	BY	APP	DATE
▲	ADDENDUM #2	L VH	L VH	8/26/15

WORK ORDER NO.	10-0002
DESIGNED	L VH
DRAWN	H AM
DATE	AUGUST 2015
CHECKED	
SUBMITTED	
RECOMMENDED	
APPROVED	



NOT REPRODUCIBLE
PROPERTY OF TRUCKEE MEADOWS WATER AUTHORITY. RETURN UPON COMPLETION OF PROJECT (Per Homeland Security Act)

TMWA ARROWCREEK DROUGHT RESPONSE DESIGN PROJECT
NEW ARROWCREEK BPS ELECTRICAL PLAN



V:\2015\Arrowcreek\20150803\TMWA\Drawings\ELECTRICAL\00175_E601.dwg By:ADP Date: 8/26/15

TMWA_Map5mono.ctb