

TECHNICAL SPECIFICATIONS
PRODUCTION WELL REHAB FOR 2015-2016

ATTACHMENT 2

GALLETTI
 STATE OF NEVADA
 DIVISION OF WATER RESOURCES
WELL DRILLER'S REPORT

Please complete this form in its entirety in accordance with NRS 534.170 and NAC 534.340

OFFICE USE ONLY

Log No. 79032
 Permit No. 87
 Ass'n. 87

PRINT OR TYPE ONLY
 DO NOT WRITE ON BACK

NOTICE OF INTENT NO. 42852

1. OWNER SIERRA PACIFIC POWER COMPANY ADDRESS AT WELL LOCATION 1205 S. 21ST. ST.
 MAILING ADDRESS P.O. BOX 10100 SPARKS, NV 89431
RENO, NV 89520

2. LOCATION NW 1/4 SE 1/4 Sec. 7 T. 19 N. S. R. 20 E. WASHOE County
 PERMIT NO. 65167/W-511-A 034-010-56 N/A
Issued by Water Resources Parcel No. Subdivision Name

3. WORK PERFORMED
 New Well Replace Recondition
 Deepen Abandon Other

4. PROPOSED USE
 Domestic Irrigation Test
 Municipal/Industrial Monitor Stock

5. WELL TYPE
 Cable Rotary RVC
 Air Other FLOODED

6. LITHOLOGIC LOG

Material	Water Strata	From	To	Thick-ness
BOULDERS		0	10	10
GRAVELS & SAND, SOME BOULDERS		10	40	30
GRAVEL & SAND, SOME CLAY		40	100	60
CLAY & SAND, SOME GRAVEL		100	180	80
GRAVEL, SOME CLAY & SAND		180	190	10
CLAY, SOME GRAVEL & SAND		190	200	10
CLAY & ROCK, SOME SAND		200	210	10
GRAVEL, SOME CLAY & SAND		210	220	10
GRAVEL		220	240	20
CLAY, SOME GRAVEL & SAND		240	250	10
CLAY		250	260	10

8. WELL CONSTRUCTION
 Depth Drilled 26.0 Feet Depth Cased 25.0 Feet

HOLE DIAMETER (BIT SIZE)

From	To
48 Inches	0 Feet 26 Feet
38 Inches	0 Feet 115 Feet
29 Inches	0 Feet 260 Feet

CASING SCHEDULE

Size O.D. (Inches)	Weight/Ft. (Pounds)	Wall Thickness (Inches)	From (Feet)	To (Feet)
42	221.61	0.500	0	26
30	157.53	0.500	+1	115
16	62.58	0.375	+2	250

Perforations:
 Type perforation LOUVERED
 Size perforation 0.125" X 2.375"

From <u>120</u> feet to <u>148</u> feet
From <u>162</u> feet to <u>200</u> feet
From <u>210</u> feet to <u>240</u> feet
From _____ feet to _____ feet
From _____ feet to _____ feet

Surface Seal: Yes No Seal Type:
 Neat Cement
 Cement Grout
 Concrete Grout

Depth of Seal 1.15'
 Placement Method: Pumped
 Poured

Gravel Packed: Yes No
 From 30 feet to 260 feet

9. WATER LEVEL
 Static water level 32.3 feet below land surface
 Artesian flow N/A G.P.M. _____ P.S.I. _____
 Water temperature COOL °F Quality GOOD

Date started DECEMBER 15, 1999
 Date completed JANUARY 7, 2000

7. WELL TEST DATA

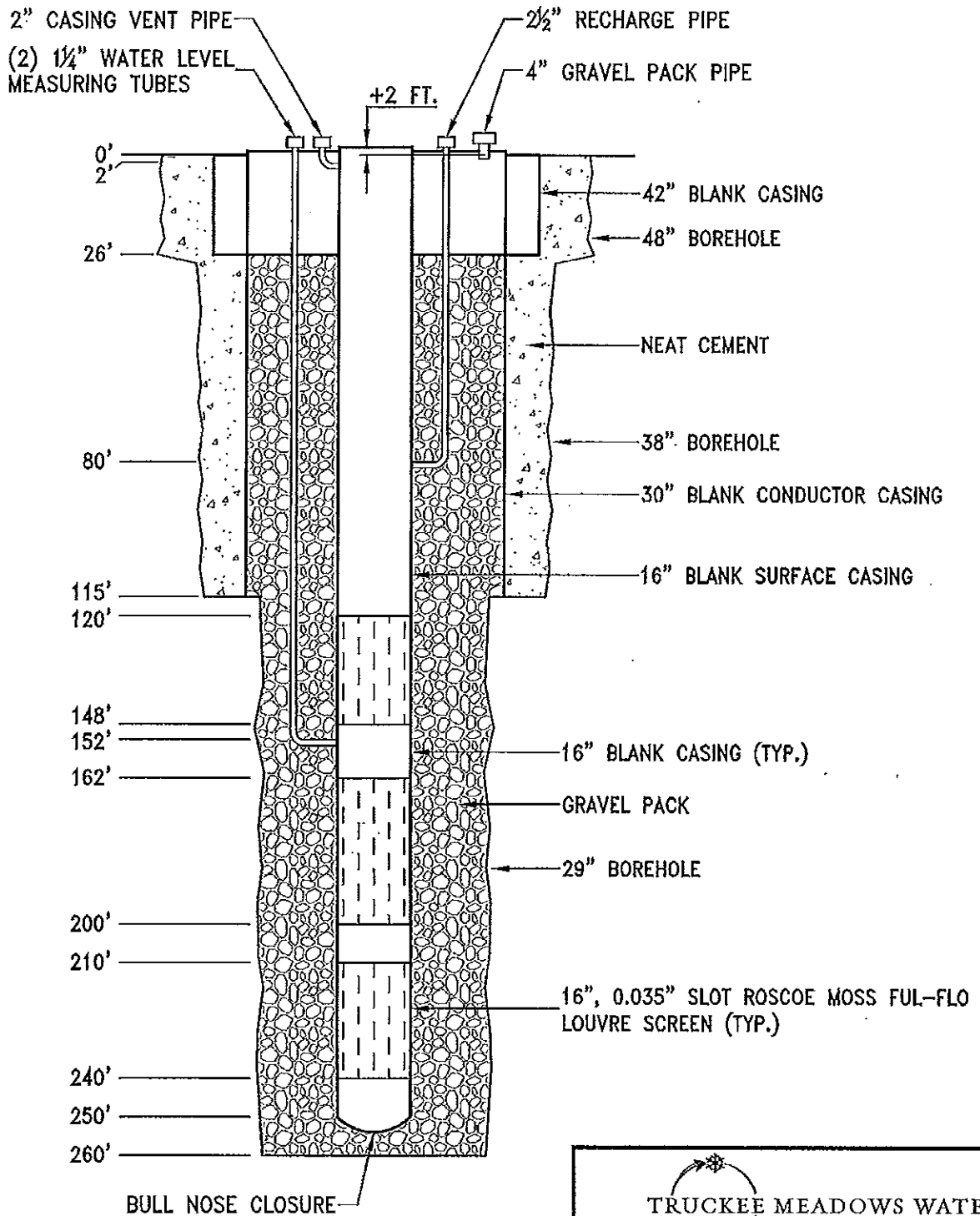
TEST METHOD:	<input type="checkbox"/> Bailer	<input type="checkbox"/> Pump	<input type="checkbox"/> Air Lift
G.P.M.	Draw Down (Feet Below Static)	Time (Hours)	

10. DRILLER'S CERTIFICATION
 This well was drilled under my supervision and the report is true to the best of my knowledge.

Name LANG EXPLORATORY DRILLING Contractor
 Address P.O. BOX 5279 Contractor
ELKO, NV 89802

Nevada contractor's license number issued by the State Contractor's Board 0021976
 Nevada driller's license number issued by the Division of Water Resources, the on-site driller 1716

Signed David Daas
 By driller performing actual drilling on site or contractor
 Date January 8, 2000





TRUCKEE MEADOWS WATER
 AUTHORITY
1155 CORPORATE BLVD. / PO BOX 00014
 LASER, NV 89001-8000
 PH 775-851-9000 / FX 775-851-5000

Figure 1
GALLETTI WAY PRODUCTION WELL
CONSTRUCTION PLAN
 N.T.S.

Reno High

WHITE-DIVISION OF WATER RESOURCES
CANARY-CLIENT'S COPY
PINK-WELL DRILLER'S COPY

STATE OF NEVADA
DIVISION OF WATER RESOURCES

OFFICE USE ONLY
Log No. 35505
Permit No. 551740
Basin 87
NOTICE OF INTENT NO. 15427

WELL DRILLER'S REPORT
Please complete this form in its entirety

PRINT OR TYPE ONLY

1. OWNER: Westpac Utilities
MAILING ADDRESS: P.O. Box 30028, Reno, NV 89520-3028
2. LOCATION: NE 1/4 NE 1/4 Sec. 15 T. 19 N. 19 E. Washoe County
PERMIT NO.: 554367 Issued by Water Resources Parcel No. 10-15126 Subdivision Name

3. TYPE OF WORK: New Well [X], Recondition [], Deepen [], Other []
4. PROPOSED USE: Domestic [], Irrigation [], Test [], Stock [], Municipal [X], Industrial []
5. TYPE WELL: Cable [], Rotary [X], Other []

6. LITHOLOGIC LOG table with columns: Material, Water Strata, From, To, Thickness. Rows include Boulders, Sand & Gravel, Course Sand & Gravel, Course Gravel, Course Sand & Gravel, Course Rock, Course Sand & Gravel, Sand & Gravel, Course Sand & Gravel, Cement Seal.

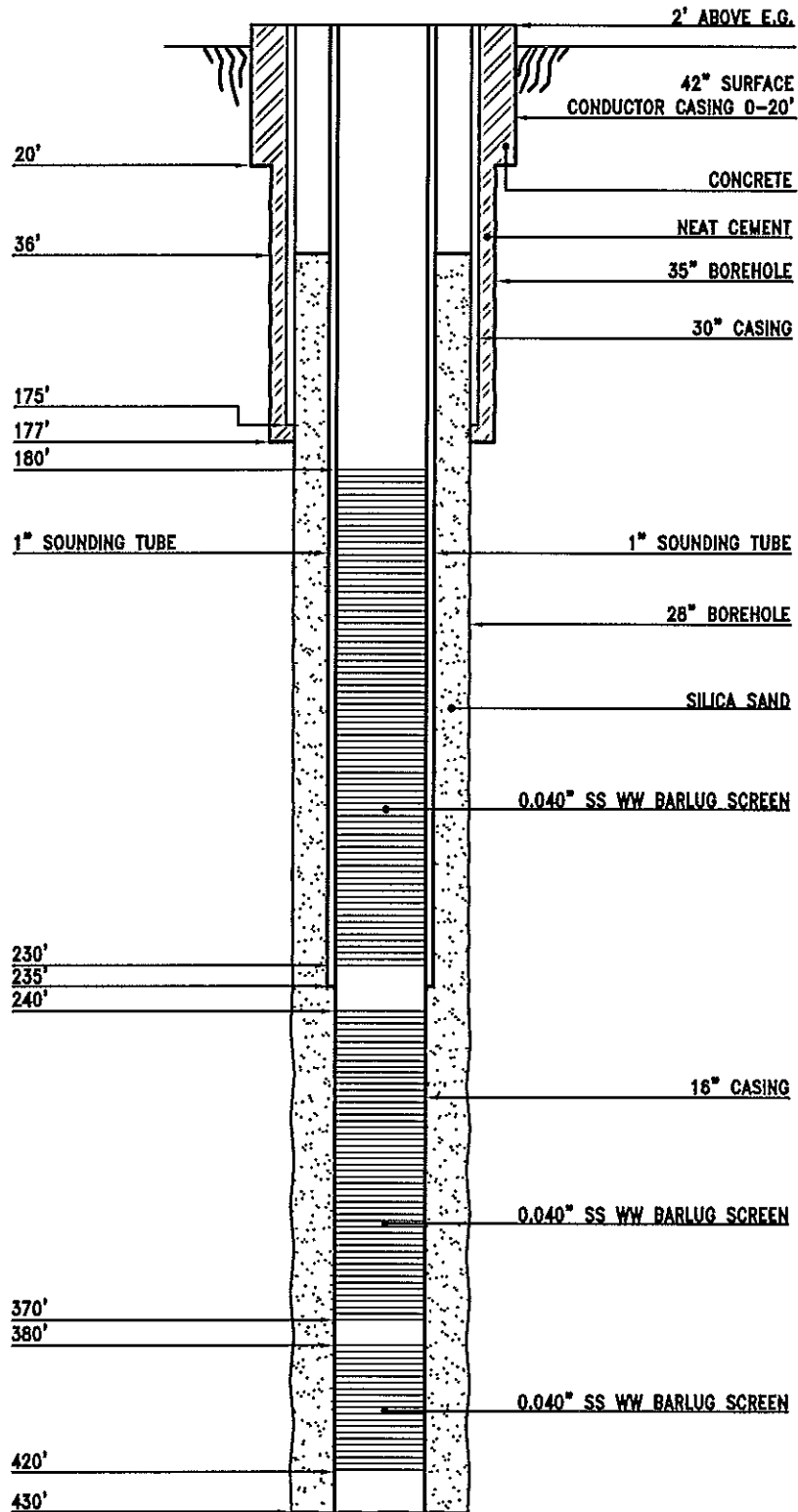
8. WELL CONSTRUCTION: Diameter 42 inches, Total depth 20 feet, From 0 to 177 feet, From 0 to 456 feet. Casing record: 30" X 375 W. & 16" X 375 W. Weight per foot table. Surface seal: Yes [X], No [], Type: Neat Cement. Depth of seal: 175 feet. Gravel packed: Yes [X], No []. Gravel packed from 0 feet to 456 feet. Perforations: Houston Screen, Size perforation: 0.45 & 0.40 slot. From 180 feet to 230 feet .040, From 230 feet to 240 Blank feet .375, From 240 feet to 370 feet .040, From 370 feet to 380 Blank feet .375, From 380 feet to 420 feet .375, 420 feet 430 Blank .375.

Date started: March 28, 1991
Date completed: June 6, 1991

7. WELL TEST DATA table with columns: Pump RPM, G.P.M., Draw Down, After Hours Pump. Row 1: 2000, 192, 49.

BAILER TEST table with columns: G.P.M., Draw down, feet, hours. Rows for G.P.M. and Draw down measurements.

9. WATER LEVEL: Static water level 120 feet below land surface. Flow: G.P.M. P.S.I. Water temperature: Cold °F Quality.
10. DRILLER'S CERTIFICATION: This well was drilled under my supervision and the report is true to the best of my knowledge. Name: Humboldt Drilling & Pump Co., Inc. Contractor. Address: P.O. Box 592 Wca., NV 89445 Contractor. Nevada contractor's license number issued by the State Contractor's Board: 015234. Nevada contractor's driller's number issued by the Division of Water Resources: 1154. Nevada driller's license number issued by the Division of Water Resources, the on-site driller: 1714. Signed: [Signature] By either performing actual drilling on site or contractor. Date: 7/13/91



K:\projects\reno\reno\renowater\reno\High\High Construction Materials.dwg
 Aug 27, 2013 2:53pm



1355 CAPITAL BLVD. / PO BOX 30013
 RENO, NEVADA 89520-3013
 PH 775-834-8000 / FX 775-834-8003

RENO HIGH PRODUCTION WELL
CONSTRUCTION MATERIALS DIAGRAM

DATE:	AUGUST 2013
DRAWN BY:	TK
WORK ORDER #:	
SCALE:	NTS

FIGURE

1

Hunter Lake

RECEIVED

WHITE-DIVISION OF WATER RESOURCES
CANARY-CLIENT'S COPY
PINK-WELL DRILLER'S COPY

STATE OF NEVADA

OFFICE USE ONLY

DIVISION OF WATER RESOURCES

Log No. 47313
Permit No.
Basin

WELL DRILLER'S REPORT

Please complete this form in accordance with NRS 534.170 and 534.171

PRINT OR TYPE ONLY
DO NOT WRITE ON BACK

NOTICE OF INTENT NO. 27928

1. OWNER Wes Pac Utilities
MAILING ADDRESS P O Box 30028
Reno, NV 89710
2. LOCATION NE 1/4 SW 1/4 Sec. 15 T. 19 S. R. 19 Washoe County
PERMIT NO. 57806
Issued by Water Resources Parcel No. Subdivision Name

ADDRESS AT WELL LOCATION corner of California & Hunter Lake Rd.
Reno, NV

3. WORK PERFORMED
 New Well Replace Recondition
 Deepen Abandon Other
4. PROPOSED USE
 Domestic Irrigation Test
 Municipal/Industrial Monitor Stock
5. WELL TYPE
 Cable Rotary RVC
 Air Other

6. LITHOLOGIC LOG				
Material	Water Strata	From	To	Thick-ness
See Attached Log				

8. WELL CONSTRUCTION
Depth Drilled 495 Feet Depth Cased 485 Feet

HOLE DIAMETER (BIT SIZE)
From To
36 Inches 0 Feet 105 Feet
28 Inches 105 Feet 495 Feet
Inches Feet Feet

CASING SCHEDULE

Size O.D. (Inches)	Weight/Ft. (Pounds)	Wall Thickness (Inches)	From (Feet)	To (Feet)
30	118.65	.375	+2	105
16	52.27	.312	+2	215
16	52.27	.312	300	310
16	52.27	.312	475	485

Perforations:
Type perforation Roscoe Moss full flow
Size perforation Louvered - 3/16 slots
From 215 feet to 300 feet
From 310 feet to 475 feet
From _____ feet to _____ feet
From _____ feet to _____ feet
From _____ feet to _____ feet

Surface Seal: Yes No Seal Type:
Depth of Seal 105 Neat Cement
Placement Method: Pumped Cement Grout
 Poured Concrete Grout

Gravel Packed: Yes No
From 0 feet to 485 feet

9. WATER LEVEL
Static water level 49 feet below land surface
Artesian flow _____ G.P.M. _____ P.S.I.
Water temperature 102.0 °F Quality good

10. DRILLER'S CERTIFICATION
This well was drilled under my supervision and the report is true to the best of my knowledge.
Name Humboldt Drilling & Pump Co Inc.
Contractor

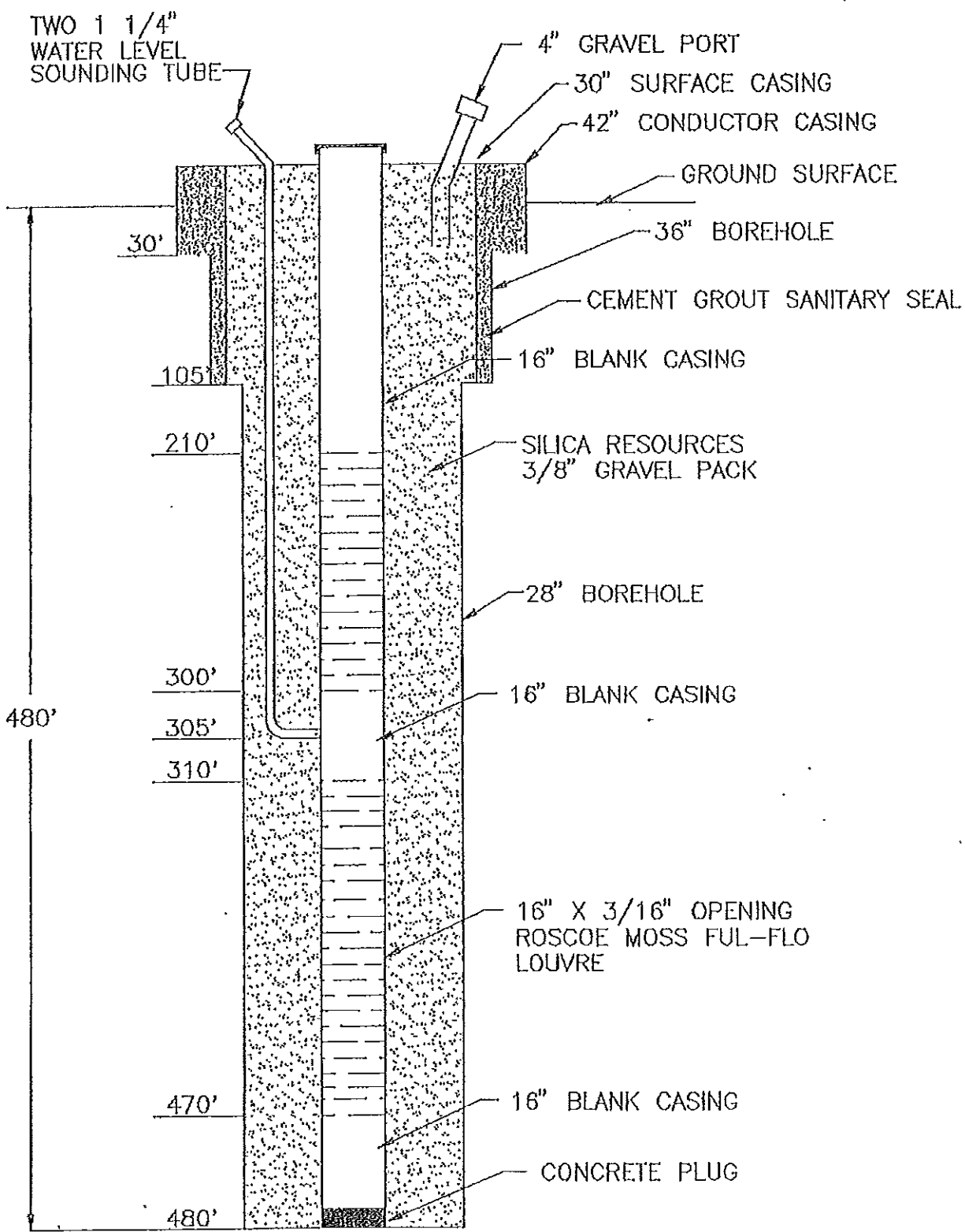
Date started Dec. 28, 1994
Date completed FEB. 4, 1995

7. WELL TEST DATA

TEST METHOD: Bailor Pump Air Lift

G.P.M.	Draw Down (Feet Below Stall)	Time (Hours)
3600	160	12

Address P O Box 590
Contractor
Winnemucca, NV 89446
Nevada contractor's license number issued by the State Contractor's Board 015234
Nevada driller's license number issued by the Division of Water Resources, the on-site driller 1713
Signed [Signature]
By driller performing actual drilling on site or contractor
Date 3-1-95



NOTE: 1. STRAIGHTENING VANES REQUIRED AS SPECIFIED.



waterresource
 consulting engineers, inc.
 730 TAHOE STREET - RENO, NEVADA - 09500
 JOB NO. 9419.10 - FEBRUARY 1995

FIGURE 3.1
 WESTPAC HUNTER LAKE

3-2 PRODUCTION WELL CONSTRUCTION

STMGID 1

WHITE-DIVISION OF WATER RESOURCES
CANARY-CLIENT'S COPY
PINK-WELL DRILLER'S COPY

STATE OF NEVADA
DIVISION OF WATER RESOURCES

OFFICE USE ONLY

Log No. 25322
 Permit No. 5422708, 57213
 Basin MEADOWS L-87
 TEST 2566
 NOTICE OF INTENT NO. 2569

WELL DRILLERS REPORT

Please complete this form in its entirety

PRINT OR TYPE ONLY

SOUTH TRUCKEE

1. OWNER MEADOWS GENERAL IMPROVEMENT DISTRICT ADDRESS AT WELL LOCATION

MAILING ADDRESS DEPT OF PUBLIC WORKS 3/4 mile west of Zolezzi Lane

1205 MILL STREET RENO, NV 89520

2. LOCATION NE 1/4 NE 1/4 Sec. 19 T 18 N/S R. 20 E WASHOE County

PERMIT NO. 46421
 Issued by Water Resources Parcel No. Subdivision Name

3. TYPE OF WORK
 New Well Recondition
 Deepen Other

4. PROPOSED USE
 Domestic Irrigation Test
 Municipal Industrial Stock

5. TYPE WELL
 Cable Rotary
 Other Reverse

6. LITHOLOGIC LOG

Material	Water Strata	From	To	Thick-ness
cobbles & boulders		0	30	30
cobbles, silty sand		30	40	10
silty sand, gravels, cobbles		40	120	80
mostly silty sand & gravel, some cobbles		120	160	40
mostly silty sand & gravel		160	200	40
clay lenses w/silty sand & gravel	xx	200	260	60
mixed clay, sand & pebbly gravel	xx	260	320	60
cleaner gravel, cobbles	xx	320	340	20
silty sand & cobbles	xx	340	360	20
silty clay & gravels or cobbles	xx	360	400	40
mixed silt & gravels	xx	400	420	20
clays, silts, & sand	xx	420	440	20
silty sands & clay	xx	440	540	100
sands disappear		540	550	10
lenses of blue clays, light brn clays		550	570	20
mostly light brn clay, some blue clays		570	620	50
purplish clay "weathered andesite"	flow	620	645	25

8. WELL CONSTRUCTION

Diameter hole 20 inches Total depth 530 feet

Casing record 12" x .250 wall

Weight per foot 33.38 Thickness

Diameter	From	To
<u>12</u> inches	<u>+2</u> feet	<u>530</u> feet
.....inchesfeetfeet
.....inchesfeetfeet
.....inchesfeetfeet
.....inchesfeetfeet
.....inchesfeetfeet

Surface seal: Yes No Type sand-cement grout

Depth of seal 54 feet

Gravel packed: Yes No

Gravel packed from 54 feet to 530 feet

Monteray Sand 8 x 16

Perforations:

Type perforation Johnson Screen 12" Hycap

Size perforation 50 slot

From 260 feet to 520 feet

Fromfeet tofeet

Fromfeet tofeet

Fromfeet tofeet

Fromfeet tofeet

9. WATER LEVEL

Static water level 90 feet below land surface

Flow bottom G.P.M. P.S.I.

Water temperature 68 ° F. Quality good

10. DRILLERS CERTIFICATION

This well was drilled under my supervision and the report is true to the best of my knowledge.

Name CHARLES SARGENT IRRIGATION, INC.

Contractor

Address P. O. BOX 2480 RENO, NV 89505

Contractor

Nevada contractor's license number 21246

Nevada contractor's drillers number 1391 LARRY WHITESEL

Nevada driller's license number 1388 GENE MAPEL

Actual Driller

Signed Gene Mapel

Contractor

Date APRIL 30, 1984

7. WELL TEST DATA

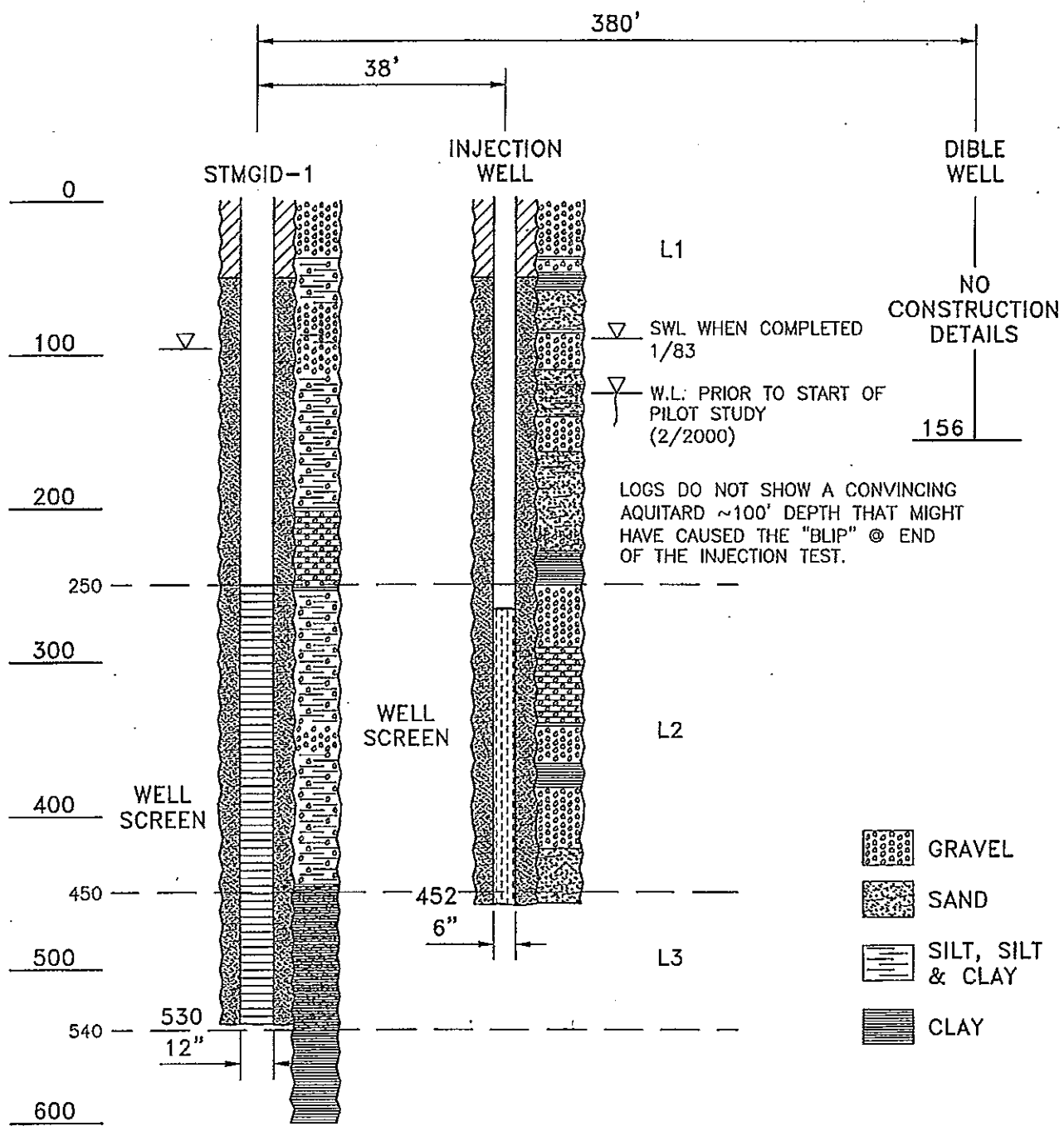
Pump RPM	G.P.M.	Draw Down	After Hours Pump
<u>1400</u>	<u>600</u>	<u>110</u>	<u>48</u>

BAILER TEST

G.P.M. Draw downfeethours

G.P.M. Draw downfeethours

G.P.M. Draw downfeethours



WASHOE COUNTY REGIONAL WATER PLANNING
 COMMISSION AND SOUTH TRUCKEE MEADOWS G.I.D.
 PILOT AQUIFER STORAGE AND RECOVERY TEST
 STMGID WELL NO. 1

FIGURE 5
 CONSTRUCTION SUMMARY AND LITHOLOGY FOR
 STMGID-1 AND THE INJECTION WELL

ECOLOGIC
 Consulting Engineers

Date: 5/22/01
 Designed By: DCB
 Drawn By: LKB

Scale: None
 Project No: 01300
 File: 01300-FIG05

WHITE--DIVISION OF WATER RESOURCES
CANARY--CLIENT'S COPY
PINK--WELL DRILLER'S COPY

STATE OF NEVADA
DIVISION OF WATER RESOURCES

OFFICE USE ONLY
Log No. 49607
Permit No. 087
Basin

PRINT OR TYPE ONLY
DO NOT WRITE ON BACK

WELL DRILLER'S REPORT

Please complete this form in its entirety in accordance with NRS 534.170 and NAC 534.340

NOTICE OF INTENT NO 31942

1. OWNER WASHOE COUNTY PUBLIC UTILITIES ADDRESS AT WELL LOCATION UPPER WELL
MAILING ADDRESS P.O. BOX 11130
RENO, NV. 89520-0027

2. LOCATION NE 1/4 SW 1/4 Sec 23 T 18 Q/S R 19 B WASHOE County
PERMIT NO. 57159

Issued by Water Resources Parcel No. Subdivision Name

3. WORK PERFORMED
 New Well Replace Recondition
 Deepen Abandon Other
4. PROPOSED USE
 Domestic Irrigation Test
 Municipal/Industrial Monitor Stock
5. WELL TYPE
 Cable Rotary RVC
 Air Other

6. LITHOLOGIC LOG

Material	Water Strata	From	To	Thick-ness
BROKEN ROCK, SAND W/ TRACE CLAY		0	100	100
SANDGRAVEL CLAY LAYERS		100	165	65
SAND & CLAY		165	240	75
SAND GRAVEL CLAY LAYERS		240	340	100
BROKEN ROCK, CLAY, SAND, GRAVEL		340	610	270

8. WELL CONSTRUCTION
Depth Drilled 614 Feet Depth Cased 610 Feet

HOLE DIAMETER (BIT SIZE)
From To
28.0 Inches 0 Feet 100 Feet
17.5 Inches 100 Feet 610 Feet

CASING SCHEDULE

Size O.D. (Inches)	Weight/Ft. (Pounds)	Wall Thickness (Inches)	From (Feet)	To (Feet)
22"	86.61	.375	+ 1	100
12.75	33.38	.250	+ 2	260
12.75	33.38	.250	400	420
Perforations:	33.38	.250	600	610

Type perforation HI-CAP
Size perforation 80-SLOT
From 260 feet to 400 feet
From 420 feet to 600 feet
From 600 feet to 610 feet

Surface Seal: Yes No Seal Type: Neat Cement
Depth of Seal 100' PER DRILLER Cement Grout
Placement Method: Pumped Poured Concrete Grout

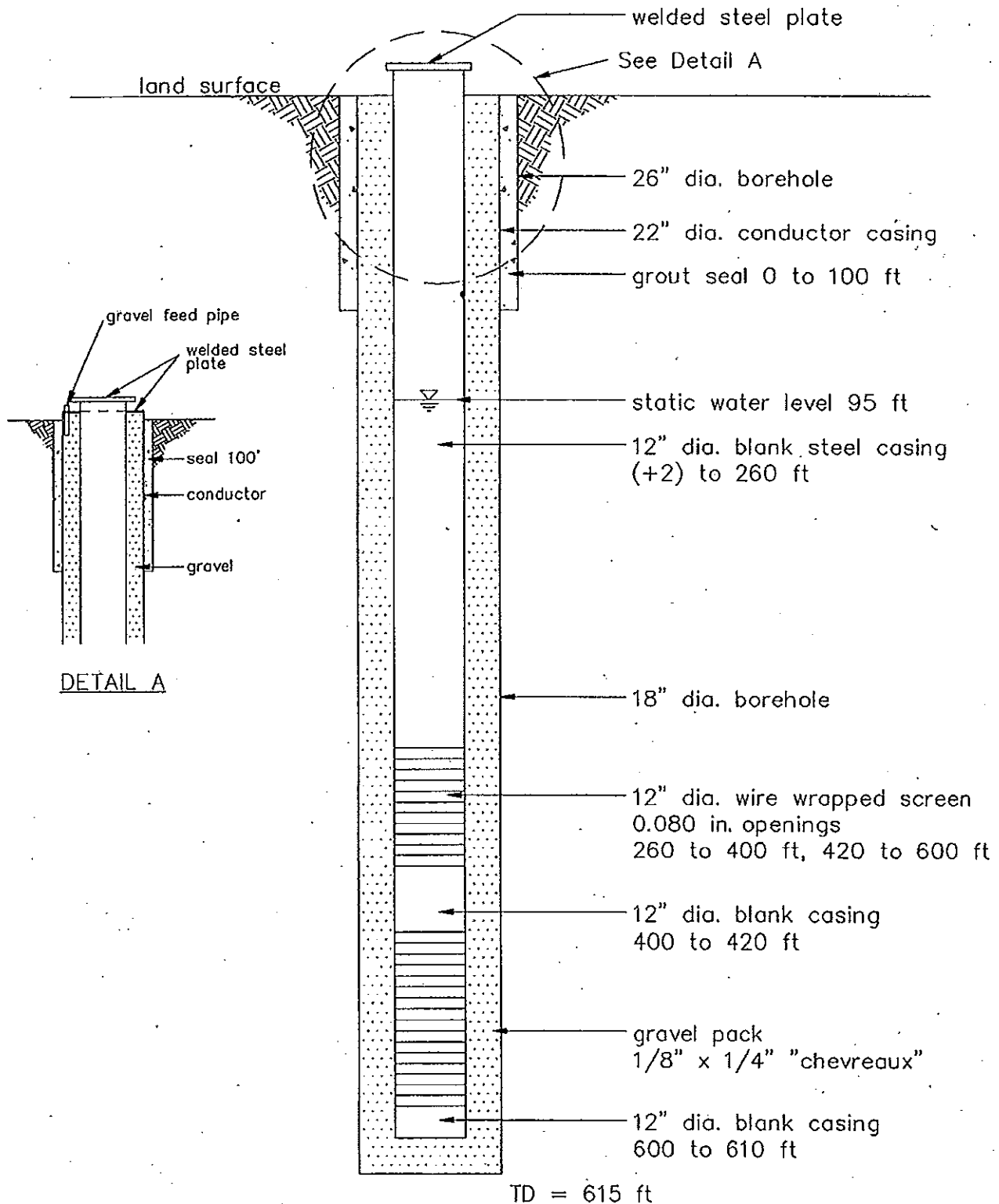
Gravel Packed: Yes No
From 0 feet to 610' PER DRILLER'S OFFICE

Date started 09-25 19 95
Date completed 12-07 19 95

7. WELL TEST DATA

TEST METHOD:	G.P.M.	Draw Down (Feet Below Static)	Time (Hours)
<input type="checkbox"/> Bailor <input checked="" type="checkbox"/> Pump <input type="checkbox"/> Air Lift	800	178	10

10. DRILLER'S CERTIFICATION
This well was drilled under my supervision and the report is true to the best of my knowledge.
Name SARGENT IRRIGATION COMPANY Contractor
Address 9955 N. VIRGINIA ST. Contractor
RENO, NV 89506
Nevada contractor's license number issued by the State Contractor's Board 21246
Nevada driller's license number issued by the Division of Water Resources the on-site driller: 1789
Signed [Signature]
by driller performing actual drilling on site or contractor
Date December 8, 1995



Arrowcreek 2

**FIGURE 5:
SOUTHWEST POINTE WELL #2
CONSTRUCTION DIAGRAM**

COUNTY OF WASHOE
DEPARTMENT OF PUBLIC WORKS



UTILITY DIVISION
P.O. BOX 11130
RENO, NEVADA 89520
(702) 856-7300

c:\jenn\welin\info\SWPT-1.dwg revised 4-11-96

TESSA 1 (east)

PW-2

EASTWELL
PWZ TESSA PW-2
(east)
OFFICE USE ONLY

WHITE-DIVISION OF WATER RESOURCES
CANARY-CLIENT'S COPY
PINK-WELL DRILLER'S COPY

STATE OF NEVADA
DIVISION OF WATER RESOURCES
WELL DRILLER'S REPORT

Log No. _____
Permit No. _____
Basin. _____

PRINT OR TYPE ONLY
DO NOT WRITE ON BACK

Please complete this form in its entirety in
accordance with NRS 534.170 and NAC 534.340

NOTICE OF INTENT NO. _____

1. OWNER GALENA WATER ENTERPRISES
MAILING ADDRESS C/O RANDY BOWLING CONSULTING
PO BOX 12926/RENO, NV/89510
ADDRESS AT WELL LOCATION 4.5 MILES UP MOUNT
ROSE HIGHWAY FROM HIGHWAY 395 ON SOUTH SIDE
OF ROAD

2. LOCATION NE $\frac{1}{4}$ SW $\frac{1}{4}$ Sec. 35 T. 18 N/S R. 19 E. WASHOE County
PERMIT NO. 61269 & 61270 150-102-01 NOT APPLICABLE
Issued by Water Resources Parcel No. Subdivision Name

3. WORK PERFORMED
 New Well Replace Recondition
 Deepen Abandon Other _____
4. PROPOSED USE
 Domestic Irrigation Test
 Municipal/Industrial Monitor Stock
5. WELL TYPE
 Cable Rotary RVC
 Air Other _____

6. LITHOLOGIC LOG				
Material	Water Strata	From	To	Thick-ness
SAND, GRAVEL, COBBLES AND BOULDERS		0	160	
SAND, GRAVEL, COBBLES BOULDERS WITH VOLCANICS, MINOR CLAY		160	310	
RED AND BLACK VOLCANIC ROCK, SANDY CLAY, GRANITE		310	404	
BLACK AND RED VOLCANICS, SAND, CLAY		404	673	
BLACK ROCK WITH SANDY BROWN CLAY, FRACTURED ROCK WITH VOLCANICS		673	735	

8. WELL CONSTRUCTION
Depth Drilled 735 Feet Depth Cased 715 Feet
HOLE DIAMETER (BIT SIZE)
From To
32 Inches 0 Feet 157 Feet
22 Inches 157 Feet 735 Feet
Inches Feet Feet

CASING SCHEDULE				
Size O.D. (Inches)	Weight/Ft. (Pounds)	Wall Thickness (Inches)	From (Feet)	To (Feet)
14		.250	0	715
24			0	157

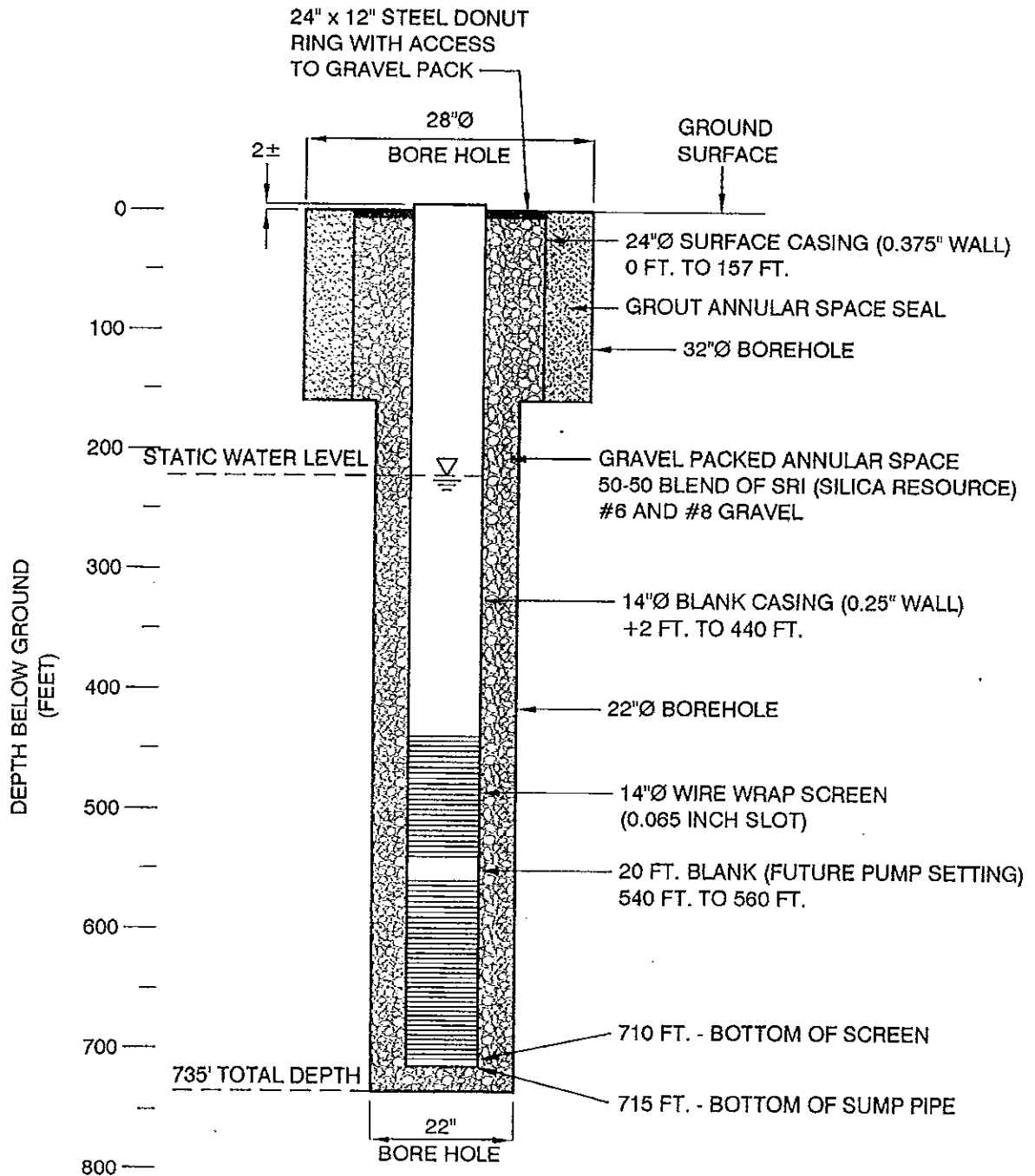
Perforations:
Type perforation WIRE WRAP SCREEN
Size perforation 0.065
From 440 feet to 540 feet
From 560 feet to 710 feet
From _____ feet to _____ feet
From _____ feet to _____ feet
Surface Seal: Yes No Seal Type:
Depth of Seal 157' Neat Cement
Placement Method: Pumped Cement Grout
 Poured Concrete Grout
Gravel Packed: Yes No
From 0 feet to 735 feet

9. WATER LEVEL
Static water level 180 feet below land surface
Artesian flow _____ G.P.M. _____ P.S.I.
Water temperature _____ °F Quality _____

10. DRILLER'S CERTIFICATION
This well was drilled under my supervision and the report is true to the best of my knowledge.
Name LAYNE CHRISTENSEN COMPANY
Contractor
Address 275 COUNTY ROAD 98
Contractor
WOODLAND, CA 95695
Nevada contractor's license number issued by the State Contractor's Board 0019101
Nevada driller's license number issued by the Division of Water Resources, the on-site driller: 2141
Signed [Signature]
By driller forming actual drilling on site or contractor
Date APRIL 12, 2000

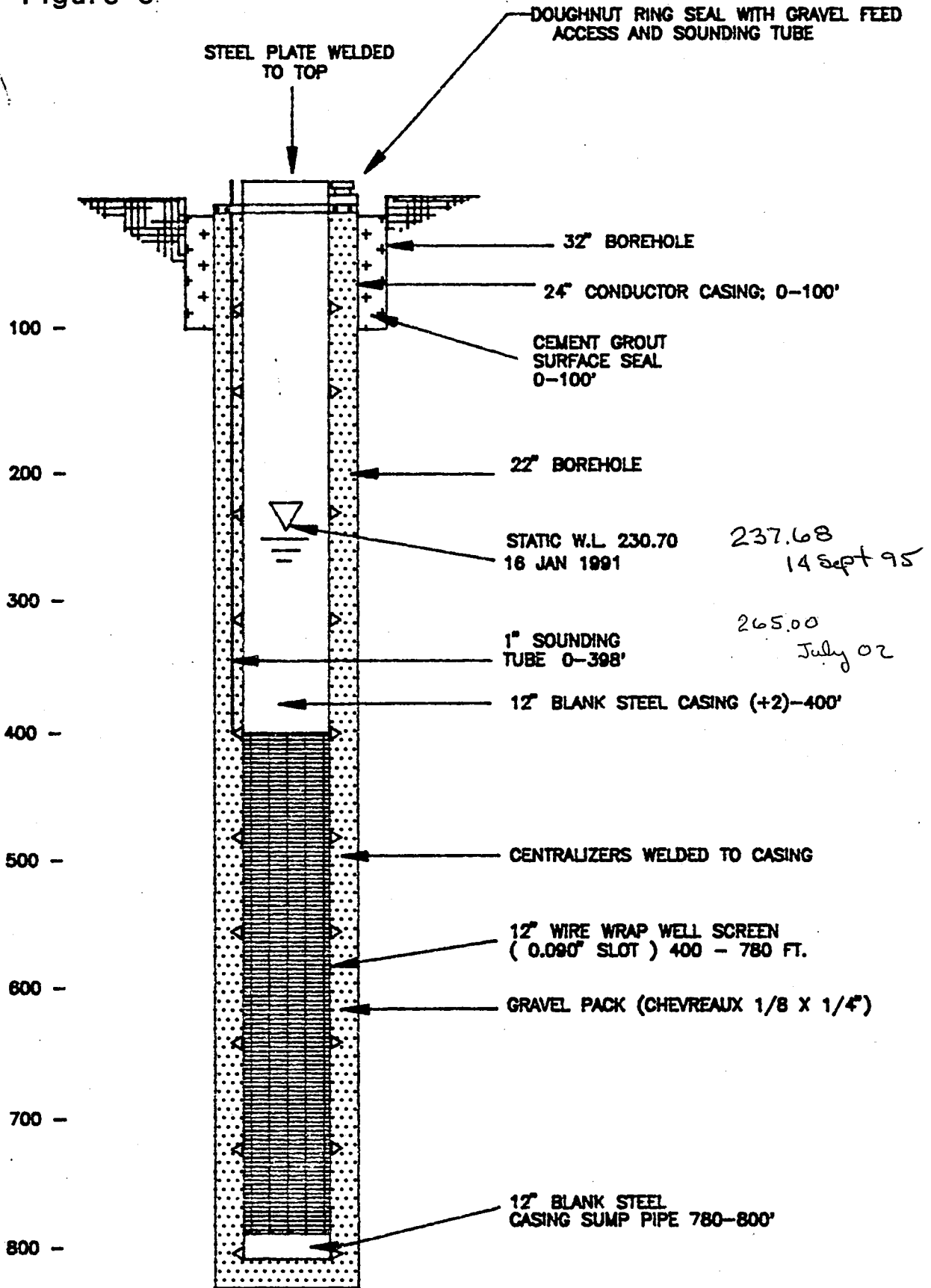
Date started JANUARY 20, 2000
Date completed MARCH 25, 2000

7. WELL TEST DATA			
TEST METHOD: <input type="checkbox"/> Bailer <input type="checkbox"/> Pump <input checked="" type="checkbox"/> Air Lift			
G.P.M.	Draw Down (Feet Below Static)	Time (Hours)	
<u>100</u>	<u>250</u>	<u>47</u>	

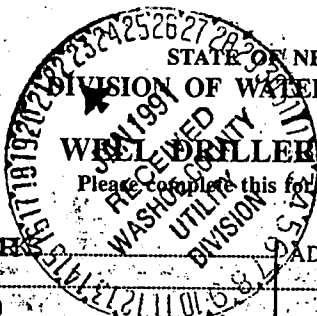


MRSA WELL #7
DEC. 1990

Figure 6.



WHITE-DIVISION OF WATER RESOURCES
CANARY-CLIENT'S COPY
PINK-WELL DRILLER'S COPY



STATE OF NEVADA
DIVISION OF WATER RESOURCES
WELL DRILLER'S REPORT

OFFICE USE ONLY
Log No. _____
Permit No. _____
Basin _____

PRINT OR TYPE ONLY

1. OWNER WASHOE COUNTY PUBLIC WORKS
MAILING ADDRESS: PO BOX 11130
RENO, NV. 89520
ADDRESS AT WELL LOCATION: MIN. MEADOW RD.
NOTICE OF INTENT NO. 16288

2. LOCATION: NE 1/4 SE 1/4 Sec. 3 T. 17 N. R. 19 E. WASHOE County
PERMIT NO. WALVER # M/O-334 47-040-17 Parcel No. N/A Subdivision Name

3. TYPE OF WORK
New Well Recondition
Deepen Other
4. PROPOSED USE
Domestic Irrigation Test
Municipal Industrial Stock
5. TYPE WELL
Cable Rotary Other

6. LITHOLOGIC LOG

Material	Water Strata	From	To	Thickness
MIXED DEBRIS		0	40	40
GRANITE VOLCANIC SAND & GRAVEL		40	125	85
FINE TO MED SAND W/SILT		125	300	175
FINE TO COARSE SAND, VOLCANIC & GRANITE	X	300	420	120
VOLCANIC BOULDER		420	425	5
VOLCANIC SANDS & GRAVELS	X	425	452	27
IRON STAINED COBBLES	XX	452	460	8
MIXED VOLCANIC SANDS & GRAVELS, COBBLES	X	460	528	68
VOLCANIC COBBLES & BOULDERS	X	528	565	37
RED CINDER	XX	565	650	85
BLACK CINDERS	XX	650	750	100
VOLCANICS IN RED CINDER	XX	750	802	52

8. WELL CONSTRUCTION
Diameter: 32 inches Total depth: 802 feet
22 inches
22 inches
Casing record: 24" 95 LB/FT 375"
Weight per foot: 12" 50 LB/FT Thickness: 375"
Diameter From To
24 inches +2 feet 100 feet
12 inches +2 feet 400 feet
12 inches 780 feet 802 feet
Surface seal: Yes No Type NEAT CEMENT
Depth of seal: 100 feet
Gravel packed: Yes No
Gravel packed from: 0 feet to 800 feet
Perforations:
Type perforation: SCREEN
Size perforation: 090
From: 400 feet to 780 feet
From: _____ feet to _____ feet
From: _____ feet to _____ feet
From: _____ feet to _____ feet
From: _____ feet to _____ feet

Date started: NOVEMBER 28, 1990
Date completed: DECEMBER 11, 1990

9. WATER LEVEL
Static water level: 244 feet below land surface
Flow: N/A G.P.M. N/A P.S.I.
Water temperature: COOL °F Quality: _____

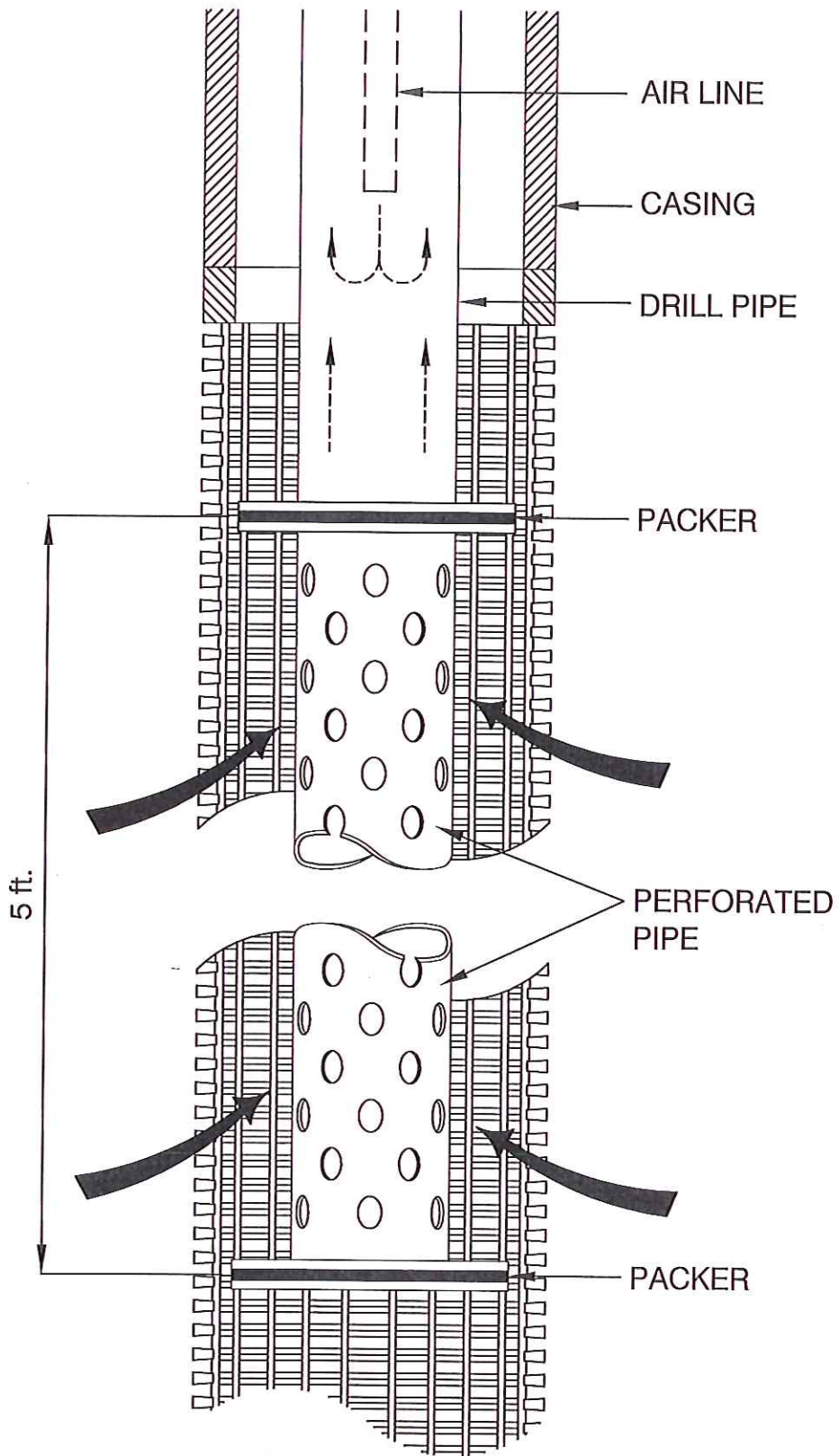
7. WELL TEST DATA

Pump RPM	G.P.M.	Draw Down	After Hours Pump

10. DRILLER'S CERTIFICATION
This well was drilled under my supervision and the report is true to the best of my knowledge.
Name: IANG EXPLORATORY DRILLING
Contractor
Address: 2286 W. 1500 S., S.L.C., UT. 84104
Contractor
Nevada contractor's license number issued by the State Contractor's Board: 0021976
Nevada contractor's driller's number issued by the Division of Water Resources: 1365
Nevada driller's license number issued by the Division of Water Resources, the on-site driller: 1716
Signed: [Signature]
By driller performing actual drilling on site or contractor
Date: DECEMBER 11, 1990

BAILER TEST
G.P.M. _____ Draw down _____ feet _____ hours
G.P.M. _____ Draw down _____ feet _____ hours
G.P.M. _____ Draw down _____ feet _____ hours

J:\NaturalResources\HydrologicSciences\Groundwater files\Well Siting and Drilling\Standard Diagrams & Figures\Development Tool Diagram.dwg
 Jun 09, 2015 - 9:57am



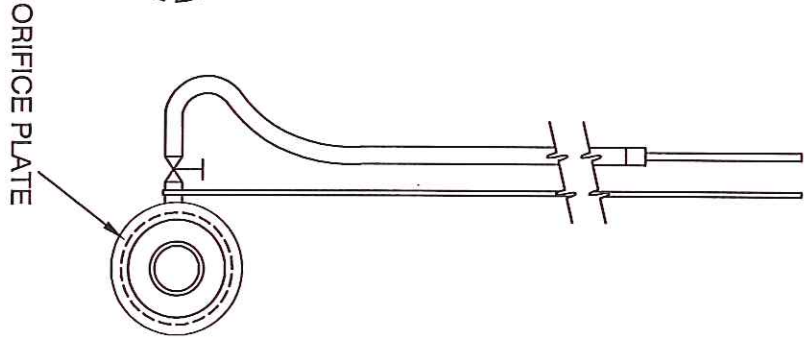
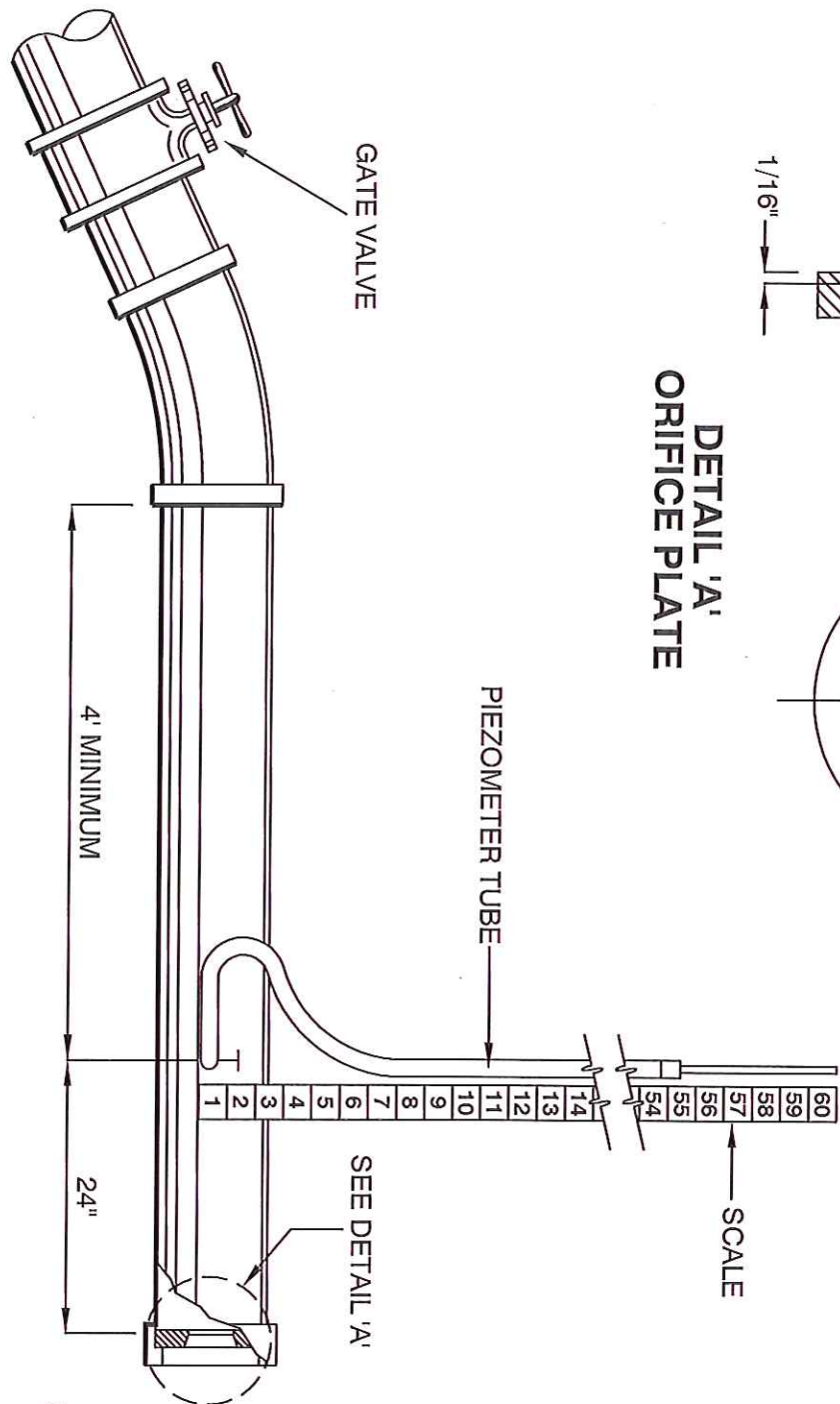
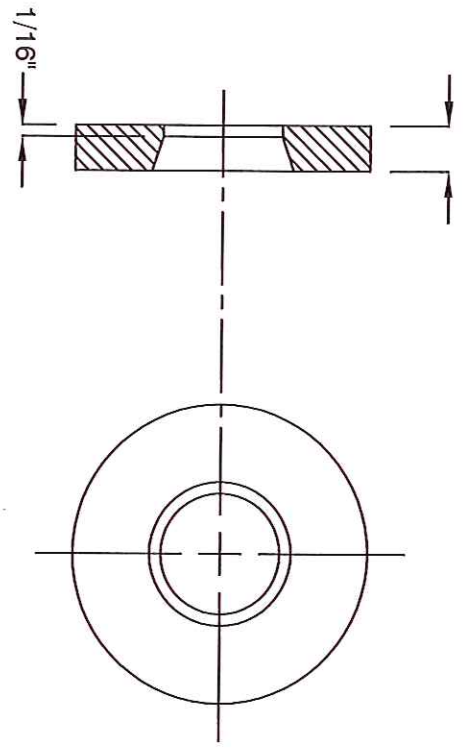
Groundwater and Wells, Johnson Filtration Systems

TRUCKEE MEADOWS WATER
 AUTHORITY
 1355 CAPITAL BLVD. / PO BOX 90013
 RENO, NEVADA 89520-3013
 PH 775-834-8000 / FX 775-834-8003

DEVELOPMENT TOOL DIAGRAM

DATE:	JUNE 2015
DRAWN BY:	TK
WORK ORDER #:	NA
SCALE:	NTS

FIGURE
 6



TRUCKEE MEADOWS WATER

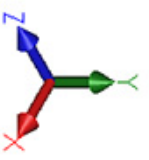
R U T H O R I T Y

1355 CAPITAL BLVD. / PO BOX 30013
 RENO, NEVADA 89520-3013
 PH 775-834-8000 / FX 775-834-8003

ORIFICE WEIR DIAGRAM

DATE:	JUNE 2015
DRAWN BY:	TK
WORK ORDER #:	NA
SCALE:	NTS

FIGURE



Rossum Sand Tester