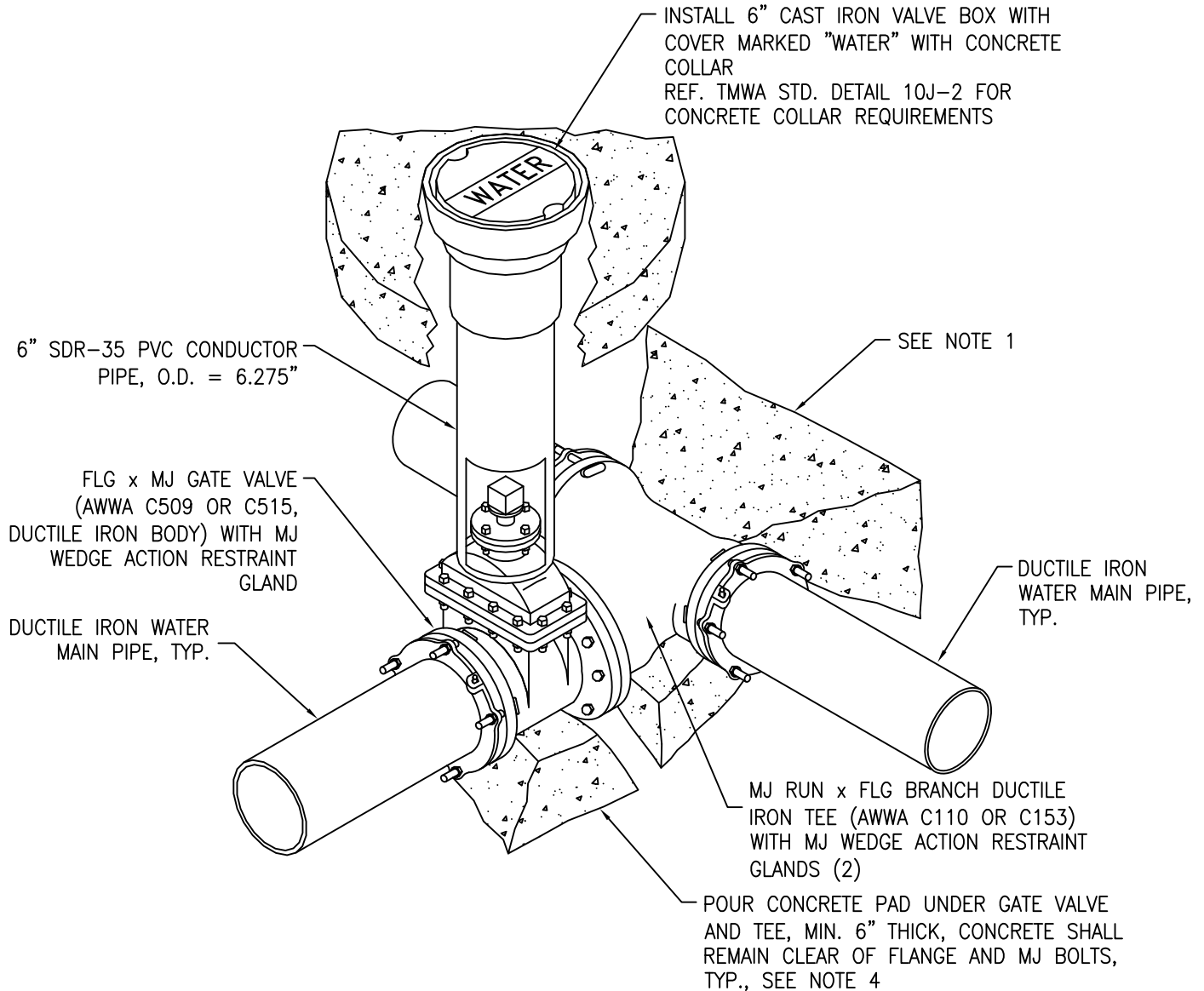


NOTES:

1. REFERENCE TMWA STANDARD DETAIL 10L-2 FOR THRUST BLOCK SIZING AND REQUIREMENTS.
2. ALL BOLTS AND EXPOSED METAL SHALL BE COATED WITH BRUSHED-ON MASTIC.
3. TEE, VALVES, FITTINGS, DUCTILE IRON PIPE AND OTHER METAL PARTS SHALL BE ENCASED WITH POLYETHYLENE WRAP PER AWWA C105.
4. CONCRETE FOR PADS SHALL HAVE A COMPRESSIVE STRENGTH OF NOT LESS THAN 3,000 PSI AFTER 28 DAYS. BAG CONCRETE MIX IS NOT ACCEPTABLE.



MATERIAL LIST

QTY.	DESCRIPTION
1	MJ RUN x FLG BRANCH DUCTILE IRON TEE (AWWA C110 OR C153)
1	FLG x MJ GATE VALVE WITH DUCTILE IRON BODY (AWWA C509 OR C515)
3	MJ WEDGE ACTION RESTRAINT GLAND
1	6" CAST IRON VALVE BOX WITH COVER MARKED "WATER"
1	6" SDR-35 PVC CONDUCTOR PIPE SECTION, O.D. = 6.275"
-	CONCRETE BULK - THRUST BLOCKS, PADS, COLLARS



DATE

7/2011

REV

APPENDIX 10B
DISTRIBUTION BRANCH INSTALLATIONS

MECHANICAL JOINT x FLANGED TEES
FLG x MJ GATE VALVE
- RESTRAINED -

DRAWING NUMBER

10B-4