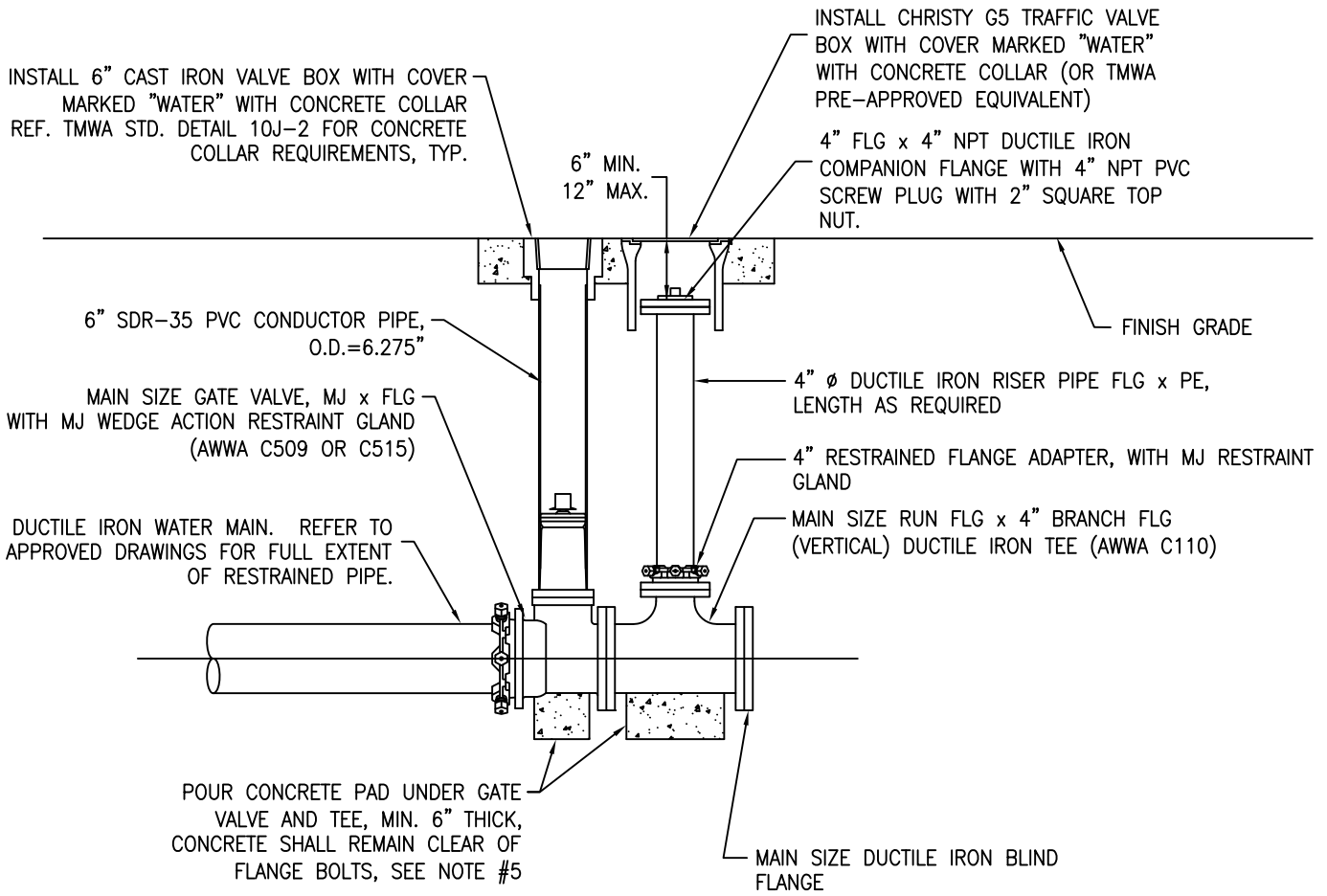


NOTES:

1. ALL EXPOSED METAL SHALL BE COATED WITH BRUSHED-ON MASTIC.
2. ALL BOLTS AND ASSOCIATED HARDWARE SHALL BE FLUOROPOLYMER COATED.
3. TEE, VALVE, FITTINGS, DUCTILE IRON PIPE, AND OTHER METAL PARTS SHALL BE ENCASED WITH POLYETHYLENE WRAP PER AWWA C105.
4. CONCRETE FOR PADS SHALL HAVE A COMPRESSIVE STRENGTH OF NOT LESS THAN 3,000 PSI AFTER 28 DAYS. BAG CONCRETE MIX IS NOT ACCEPTABLE.
5. ALL PIPE AND FITTINGS IN CONTACT WITH WATER SHALL BE NSF-61 CERTIFIED.



MATERIAL LIST

QTY.	DESCRIPTION
1	MAIN SIZE RUN FLG x 4" BRANCH FLG DUCTILE IRON TEE (AWWA C110)
1	MAIN SIZE GATE VALVE, MJ x FLG, (AWWA C509 OR C515)
1	MAIN SIZE MJ WEDGE ACTION RESTRAINT GLAND
1	MAIN SIZE DUCTILE IRON BLIND FLANGE
1	4" FLG x 4" NPT DUCTILE IRON COMPANION FLANGE
1	4" Ø DUCTILE IRON RISER PIPE FLG x PE (LENGTH AS REQUIRED)
1	4" RESTRAINED FLANGE ADAPTER, WITH MJ RESTRAINT GLAND
1	4" PVC SCREW PLUG, NPT, WITH 2" SQUARE TOP NUT
1	6" CAST IRON VALVE BOX WITH COVER MARKED "WATER"
1	CHRISTY G5 TRAFFIC VALVE BOX WITH COVER MARKED "WATER"
1	6" SDR-35 PVC CONDUIT PIPE SECTION, O.D.=6.275"
-	CONCRETE BULK - PADS, COLLARS



DATE

7/2001

REV

9/2016

APPENDIX 10E  
 FLUSH ASSEMBLY INSTALLATIONS  
 FOR TEMPORARY DEAD-END LOCATIONS  
 FOR MAIN SIZES 6" TO 12"

DRAWING NUMBER

10E-3