

APPENDIX 10H
SERVICE TAP INSTALLATIONS – SMALL DIAMETER

<u>DESCRIPTION</u>	<u>DRAWING #</u>
INDEX	10H-1
SERVICE TAPS – SMALL DIAMETER	10H-2



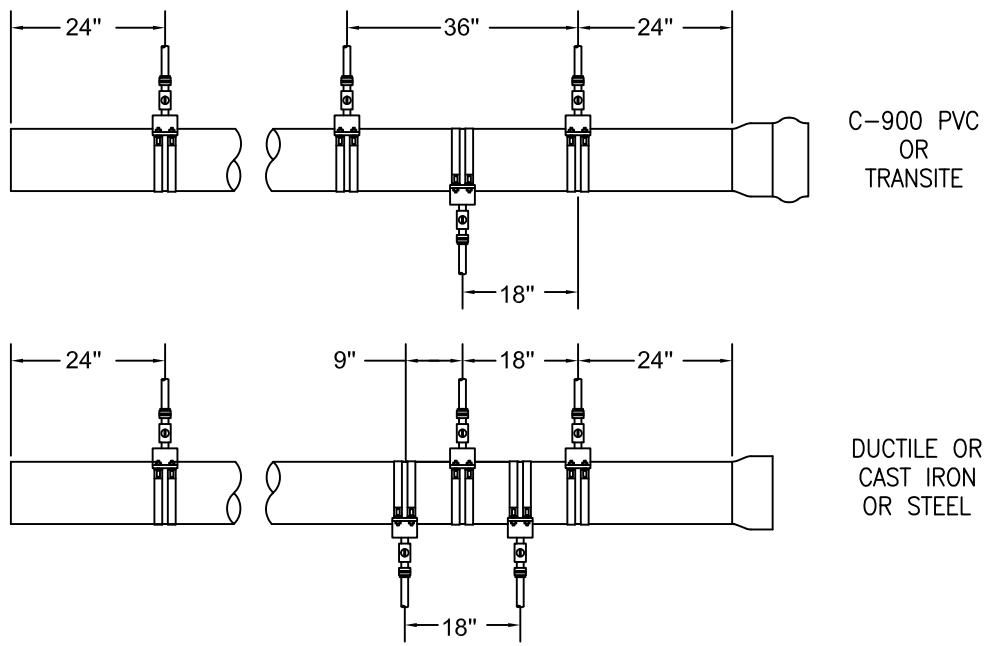
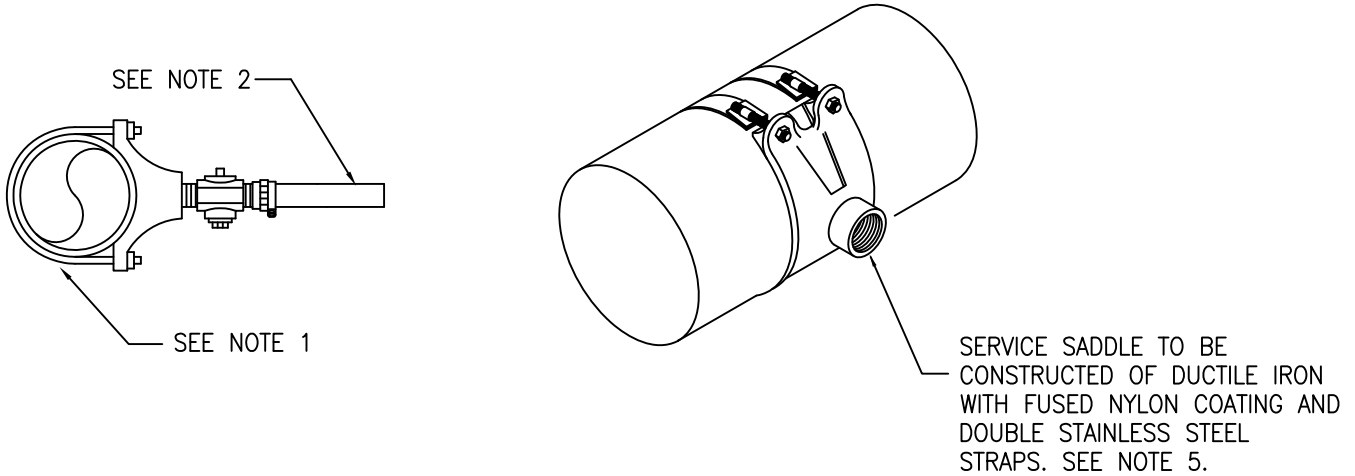
DATE
7/2001
REV
9/2016

APPENDIX 10H
SERVICE TAP INSTALLATION
SMALL DIAMETER
INDEX

DRAWING NUMBER
10H-1

NOTES:

1. SERVICE CLAMP SIZE IS DEPENDENT UPON THE SIZE AND TYPE OF MAIN.
2. SDR-9 CTS HDPE TUBING, LENGTH AND DIAMETER TO BE DETERMINED BY ENGINEER. REFER TO APPROVED PLAN.
3. STOP CORP IP THREAD INLET, COMPRESSION OUTLET, DIAMETER TO MATCH TAP SIZE AS SHOWN ON PLAN.
4. INSERT RIGID STAINLESS STEEL LINER TO SDR-9 CTS HDPE TUBING.
5. SERVICE TAPS OFF OF EXISTING PVC MAINS SHALL USE TAPPED FULL CIRCLE REPAIR CLAMP, MINIMUM LENGTH: 15". MANUFACTURER SHALL BE APPROVED BY TMWA.



DATE	7/2001
REV	9/2016

APPENDIX 10H
SERVICE TAP INSTALLATIONS
FOR 1", 1.25", 1.5" AND 2" SERVICE TAPS

DRAWING NUMBER	10H-2
----------------	-------