

APPENDIX 10K
WATER METERS – SMALL

<u>DESCRIPTION</u>	<u>DRAWING #</u>
INDEX	10K-1
 <u>NEW SERVICE – RESIDENTIAL WITH SINGLE CHECK OUTLET</u>	
3/4" SETTER FOR 1" SERVICE	10K-2
1" SETTER FOR 1-1/4" SERVICE	10K-3
1-1/2" SETTER FOR 1-1/2" SERVICE	10K-4
2" SETTER FOR 2" SERVICE	10K-5
3/4" DUAL SETTER FOR 1" SERVICE	10K-6
 <u>NEW SERVICE – COMMERCIAL WITH NON-CHECK OUTLET</u>	
3/4" SETTER FOR 1" SERVICE	10K-7
1" SETTER FOR 1-1/4" SERVICE	10K-8
1-1/2" SETTER FOR 1-1/2" SERVICE	10K-9
2" SETTER FOR 2" SERVICE	10K-10
3/4" DUAL SETTER FOR 1" SERVICE	10K-11
 <u>RETROFIT SERVICE</u>	
3/4" SETTER FOR 1" SERVICE	10K-12
1" SETTER FOR 1-1/4" SERVICE	10K-13
1-1/2" SETTER FOR 1-1/2" SERVICE	10K-14
2" SETTER FOR 2" SERVICE	10K-15
3/4" DUAL SETTER FOR 1" SERVICE	10K-16
 <u>TRAFFIC RATED WATER METER ENCLOSURES</u>	
13x24 TRAFFIC RATED ENCLOSURE FOR 3/4" & 1" METER INSTALLATIONS	10K-17
17x30 TRAFFIC RATED ENCLOSURE FOR 1-1/2", 2" AND DUAL 3/4" METER INSTALLATIONS	10K-18

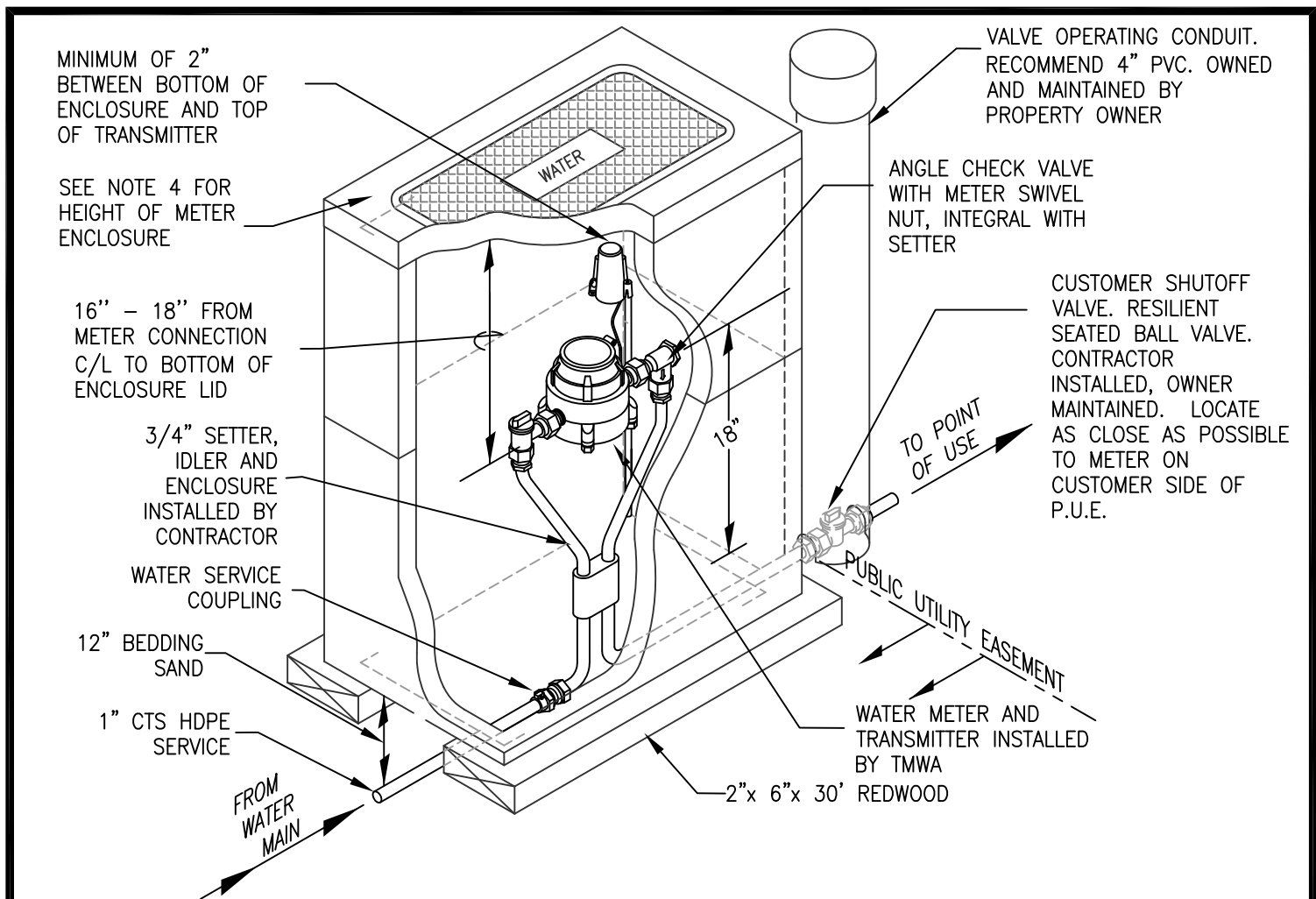


DATE
6/2004
REV
7/2011

APPENDIX 10K
WATER METERS - SMALL

INDEX

DRAWING NUMBER
10K-1



NOTES:

1. THERMAL EXPANSION PROTECTION IS REQUIRED IN ANY DOMESTIC WATER SUPPLY SYSTEM THAT IS DOWNSTREAM FROM A BACKFLOW PREVENTION DEVICE. REFERENCE: UNIFORM PLUMBING CODE.
2. METER AND TRANSMITTER SUPPLIED AND INSTALLED BY TMWA.
3. FOR DRIVEWAY OR TRAFFIC AREAS USE 13X24 ENCLOSURE APPROVED FOR TRAFFIC RATED H/20 LOADING. SEE DETAIL 10K-17.
4. TOP OF METER ENCLOSURE SHALL BE SET 0.2 FEET ABOVE HIGHEST FINISHED GRADE SURROUNDING ENCLOSURE WITHIN LANDSCAPED AREAS, AND SHALL BE SET FLUSH WITH SURROUNDING FINISH GRADE IN TRAFFIC AREAS.
5. ENCLOSURE TO BE BACKFILLED WITH WATER PIPE BEDDING SAND ONLY, SEE SECTION 5, TRENCH BEDDING & BACKFILL.
6. BLANKET TO BE INSTALLED ABOVE METER AND BELOW TRANSMITTER.

MATERIAL LIST

ITEM ID	QTY.	DESCRIPTION
MS-CHK-0.75	1.0	SETTER WATER METER, WITH ANGLE CHECK VALVE, NEW 3/4" MIP ENDS
WSC-1.00x0.75-CTSxFIP	1.0	COUPLING SERVICE 1" CTS COMPRESSION X 3/4" FIP
SSL-1.00	1.0	LINER RIGID STAINLESS STEEL FOR 1" CTS HDPE TUBING
GSKT-0.75	2.0	GASKET-3/4" FOR WATER METER
WM-DISC-0.75	1.0	3/4" WATER METER - SUPPLIED AND INSTALLED BY TMWA
ENCL-12x22-NT	1.0	ENCLOSURE NON-TRAFFIC 12 X 22 WATER METERS, SEE NOTE 3
ENCL-12x22-LID-NT	1.0	COVER NON-TRAFFIC 12 X 22, SEE NOTE 3
ENCL-12x22-EXT-NT	1.0	EXTENSION BOX NON-TRAFFIC 12 X 22, SEE NOTE 3
INSL-BLKT-4x4	1.0	BLANKET INSULATION 4' X 4' FOR WATER METERS
RDWD-BRD-2x6x30	2.0	BOARD - REDWOOD 2" X 6" X 30"
IDLR-0.75	1.0	IDLER WATER METER 3/4" SETTER
ERT	1.0	REMOTE TRANSMITTER - SUPPLIED AND INSTALLED BY TMWA



DATE

6/2004

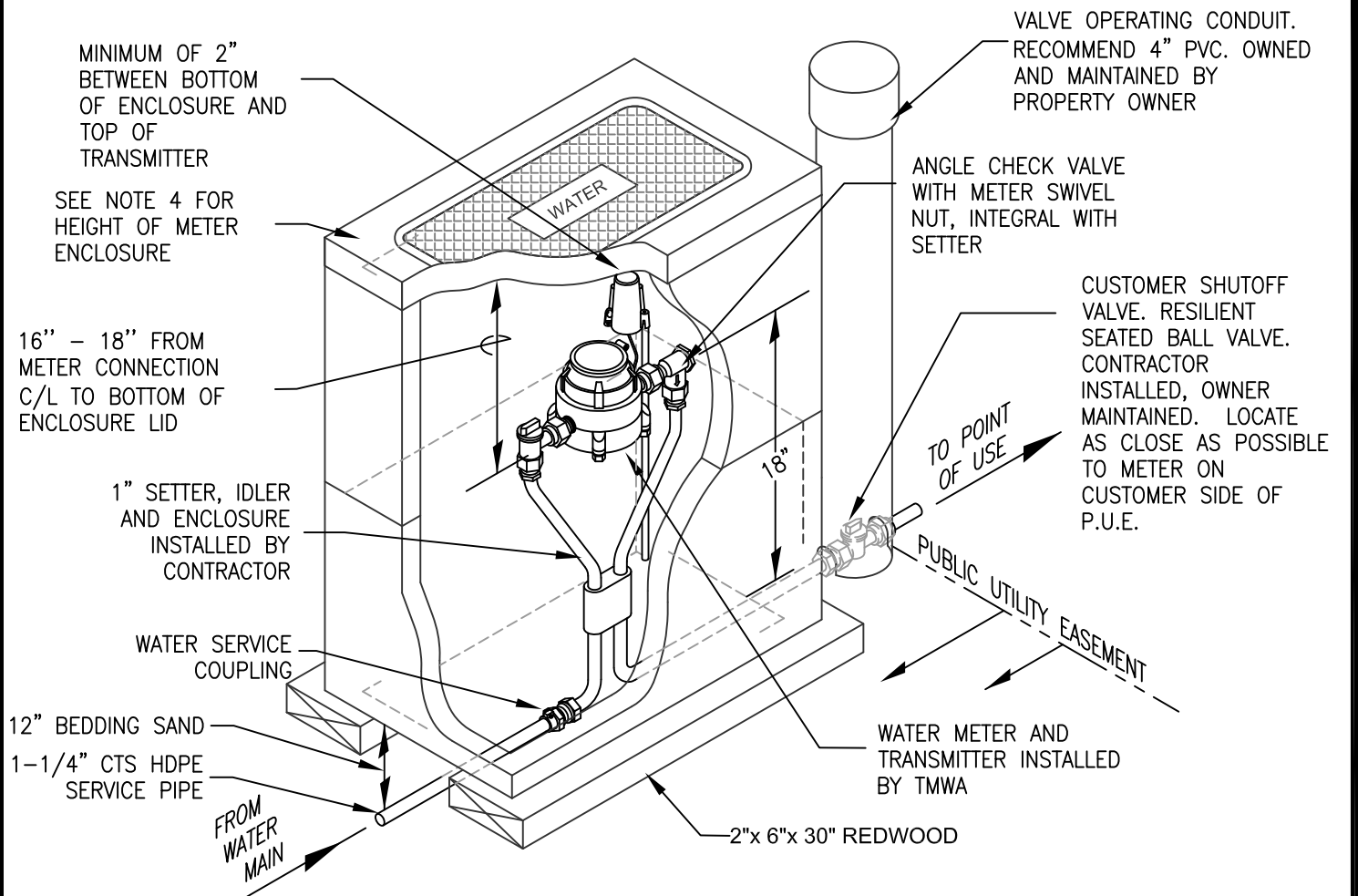
REV

7/2011

APPENDIX 10K
 WATER METERS - SMALL
 NEW RESIDENTIAL INSTALLATION
 1" SINGLE SERVICE
 FOR 3/4" SETTER WITH ANGLE CHECK,
 METER AND TRANSMITTER

DRAWING NUMBER

10K-2



NOTES:

1. THERMAL EXPANSION PROTECTION IS REQUIRED IN ANY DOMESTIC WATER SUPPLY SYSTEM THAT IS DOWNSTREAM FROM A BACKFLOW PREVENTION DEVICE. REFERENCE: UNIFORM PLUMBING CODE.
2. METER AND TRANSMITTER SUPPLIED AND INSTALLED BY TMWA.
3. FOR DRIVEWAY OR TRAFFIC AREAS USE 13x24 ENCLOSURE APPROVED FOR TRAFFIC RATED H/20 LOADING. SEE DETAIL 10K-17.
4. TOP OF METER ENCLOSURE SHALL BE SET 0.2 FEET ABOVE HIGHEST FINISHED GRADE SURROUNDING ENCLOSURE WITHIN LANDSCAPED AREAS, AND SHALL BE SET FLUSH WITH SURROUNDING FINISH GRADE IN TRAFFIC AREAS.
5. ENCLOSURE TO BE BACKFILLED WITH WATER PIPE BEDDING SAND ONLY, SEE SECTION 5, TRENCH BEDDING & BACKFILL.
6. BLANKET TO BE INSTALLED ABOVE METER AND BELOW TRANSMITTER.

MATERIAL LIST

ITEM ID	QTY.	DESCRIPTION
MS-CHK-1.00	1.0	SETTER WATER METER, WITH ANGLE CHECK VALVE, NEW 1" MIP ENDS
WSC-1.25x1.00-CTSxFIP	1.0	COUPLING SERVICE 1-1/4" CTS COMPRESSION X 1" FIP
SSL-1.25	1.0	LINER RIGID STAINLESS STEEL FOR 1-1/4" CTS HDPE TUBING
GSKT-1.00	2.0	GASKET-1" FOR WATER METER
WM-DISC-1.00	1.0	1" WATER METER - SUPPLIED AND INSTALLED BY TMWA
ENCL-13x24-NT	1.0	ENCLOSURE NON-TRAFFIC 13 X 24 WATER METERS, SEE NOTE 3
ENCL-13x24-LID-NT	1.0	COVER NON-TRAFFIC 13 X 24, SEE NOTE 3
ENCL-13x24-EXT-NT	1.0	EXTENSION BOX NON-TRAFFIC 13 X 24, SEE NOTE 3
INSL-BLKT-4x4	1.0	BLANKET INSULATION 4' X 4' FOR WATER METERS
RDWD-BRD-2x6x30	2.0	BOARD - REDWOOD 2" X 6" X 30"
IDLR-1.00	1.0	IDLER WATER METER 1" SETTER
ERT	1.0	REMOTE TRANSMITTER - SUPPLIED AND INSTALLED BY TMWA



DATE

6/2004

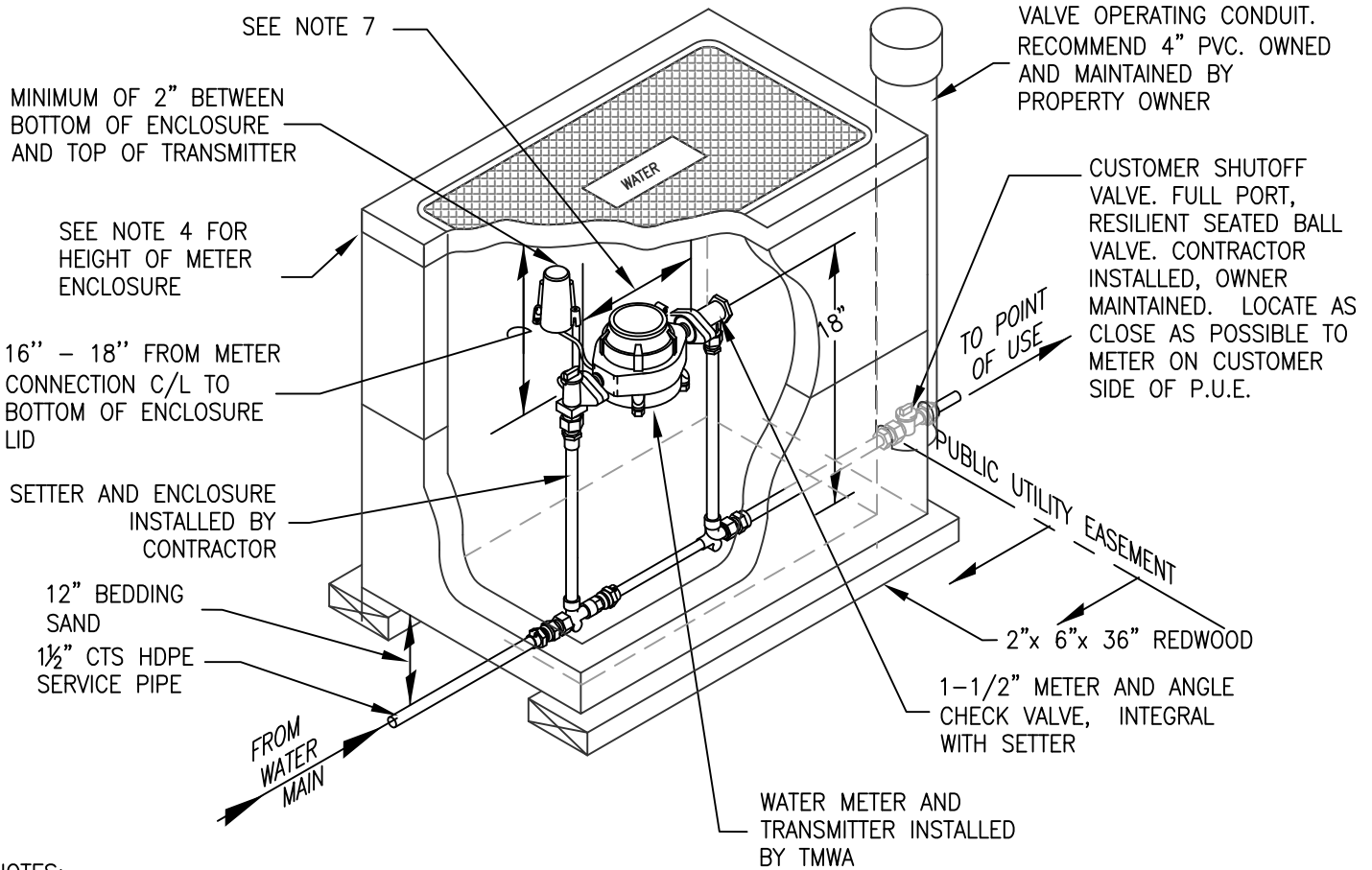
REV

7/2011

APPENDIX 10K
 WATER METERS - SMALL
 NEW RESIDENTIAL INSTALLATION
 1-1/4" SINGLE SERVICE
 FOR 1" SETTER WITH ANGLE CHECK,
 METER AND TRANSMITTER

DRAWING NUMBER

10K-3



NOTES:

1. THERMAL EXPANSION PROTECTION IS REQUIRED IN ANY DOMESTIC WATER SUPPLY SYSTEM THAT IS DOWNSTREAM FROM A BACKFLOW PREVENTION DEVICE. REFERENCE: UNIFORM PLUMBING CODE.
2. METER AND TRANSMITTER SUPPLIED AND INSTALLED BY TMWA.
3. FOR DRIVEWAY OR TRAFFIC AREAS USE 17X30 ENCLOSURE APPROVED FOR TRAFFIC RATED H/20 LOADING. SEE DETAIL 10K-18.
4. TOP OF METER ENCLOSURE SHALL BE SET 0.2 FEET ABOVE HIGHEST FINISHED GRADE SURROUNDING ENCLOSURE WITHIN LANDSCAPED AREAS, AND SHALL BE SET FLUSH WITH SURROUNDING FINISH GRADE IN TRAFFIC AREAS.
5. ENCLOSURE TO BE BACKFILLED WITH WATER PIPE BEDDING SAND ONLY, SEE SECTION 5, TRENCH BEDDING & BACKFILL.
6. BLANKET TO BE INSTALLED ABOVE METER AND BELOW TRANSMITTER.
7. DISTANCE BETWEEN FLANGES SHALL BE 13.25".

MATERIAL LIST

ITEM ID	QTY.	DESCRIPTION
MS-CHK-1.50	1.0	SETTER WATER METER, WITH ANGLE CHECK VALVE, NEW 1-1/2" FIP ENDS
WSC-1.50x1.50-CTSxMIP	1.0	COUPLING SERVICE 1-1/2" CTS COMPRESSION X 1-1/2" MIP
SSL-1.50	1.0	LINER RIGID STAINLESS STEEL FOR 1-1/2" CTS HDPE TUBING
GSKT-1.50	2.0	GASKET-1-1/2" FOR WATER METER
WM-DISC-1.50	1.0	1-1/2" WATER METER - SUPPLIED AND INSTALLED BY TMWA
ENCL-17x30-NT	1.0	ENCLOSURE NON-TRAFFIC 17 X 30 WATER METERS, SEE NOTE 2
ENCL-17x30-LID-NT	1.0	COVER NON-TRAFFIC 17 X 30, NON CONCRETE FIBRELYTE LID, SEE NOTE 2
ENCL-17x30-EXT-NT	1.0	EXTENSION BOX NON-TRAFFIC 17 X 30, SEE NOTE 2
INSL-BLKT-4x4	1.0	BLANKET INSULATION 4' X 4' FOR WATER METERS
RDWD-BRD-2X6X36	2.0	BOARD - REDWOOD 2" X 6" X 36"
IDLR-1.50	1.0	IDLER WATER METER 1-1/2" SETTER
BOLTS	4.0	BOLT COPPER #651 SILICONE BRONZE 5/8" X 2-1/2" WITH 2 FLAT WASHERS & NUTS
ERT	1.0	REMOTE TRANSMITTER - SUPPLIED AND INSTALLED BY TMWA



DATE

6/2004

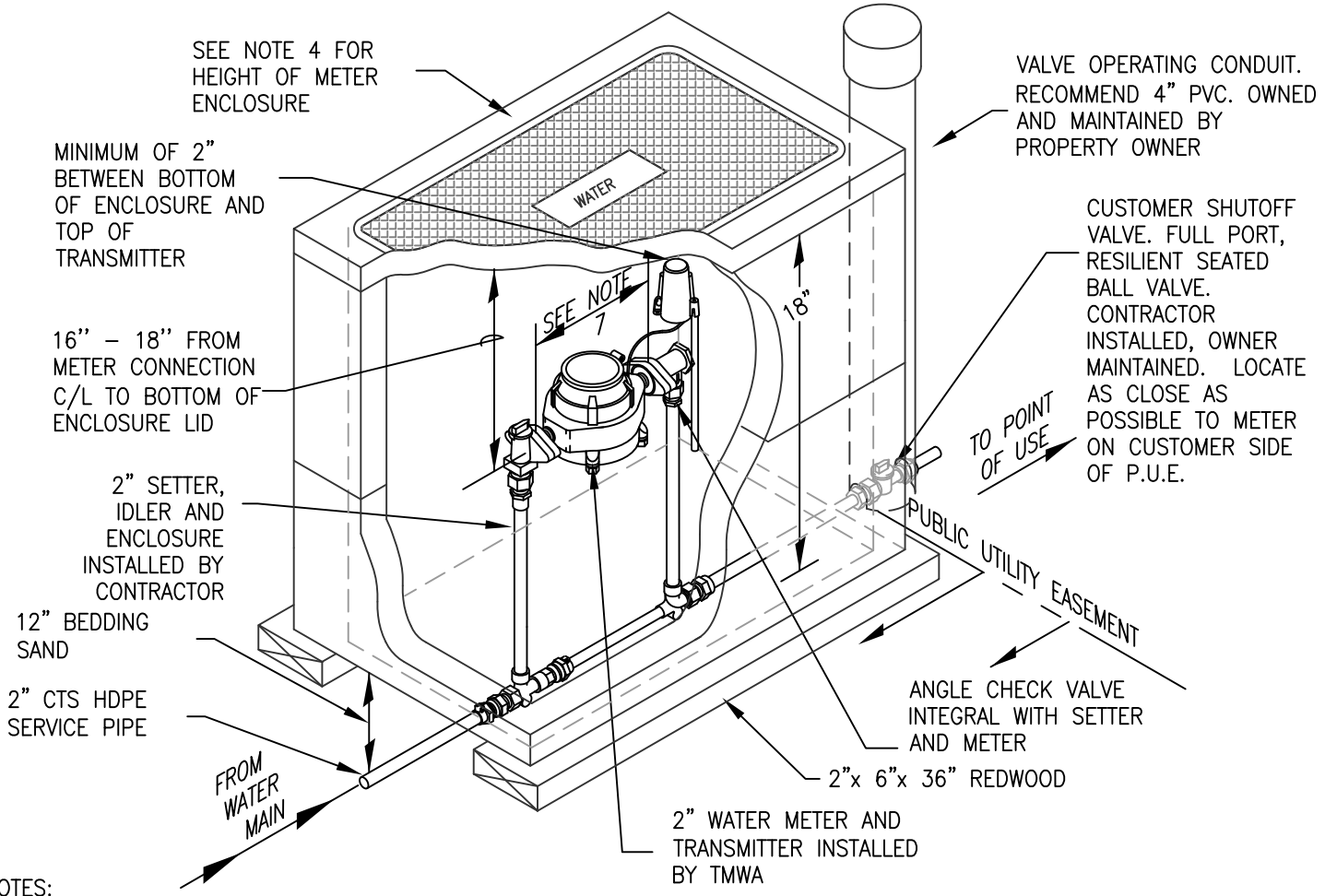
REV

7/2011

APPENDIX 10AK
 WATER METERS - SMALL
 NEW RESIDENTIAL INSTALLATION
 1-1/2" SINGLE SERVICE
 FOR 1-1/2" SETTER WITH ANGLE CHECK,
 METER AND TRANSMITTER

DRAWING NUMBER

10K-4



NOTES:

1. THERMAL EXPANSION PROTECTION IS REQUIRED IN ANY DOMESTIC WATER SUPPLY SYSTEM THAT IS DOWNSTREAM FROM A BACKFLOW PREVENTION DEVICE. REFERENCE: UNIFORM PLUMBING CODE.
2. METER AND TRANSMITTER SUPPLIED AND INSTALLED BY TMWA.
3. FOR DRIVEWAY OR TRAFFIC AREAS USE 17X30 ENCLOSURE APPROVED FOR TRAFFIC RATED H/20 LOADING. SEE DETAIL 10K-18.
4. TOP OF METER ENCLOSURE SHALL BE SET 0.2 FEET ABOVE HIGHEST FINISHED GRADE SURROUNDING ENCLOSURE WITHIN LANDSCAPED AREAS, AND SHALL BE SET FLUSH WITH SURROUNDING FINISH GRADE IN TRAFFIC AREAS.
5. ENCLOSURE TO BE BACKFILLED WITH WATER PIPE BEDDING SAND ONLY, SEE SECTION 5, TRENCH BEDDING & BACKFILL.
6. BLANKET TO BE INSTALLED ABOVE METER AND BELOW TRANSMITTER.
7. DISTANCE BETWEEN FLANGES SHALL BE 17.25".

MATERIAL LIST

ITEM ID	QTY.	DESCRIPTION
MS-CHK-2.00	1.0	SETTER WATER METER, WITH ANGLE CHECK VALVE, NEW 2" FIP ENDS
WSC-2.00x2.00-CTSxMIP	1.0	COUPLING SERVICE 2" CTS COMPRESSION X 2" MIP
SSL-2.00	1.0	LINER RIGID STAINLESS STEEL FOR 2" CTS HDPE TUBING
GSKT-2.00	2.0	GASKET-2" FOR WATER METER
WM-DISC-2.00	1.0	2" WATER METER - SUPPLIED AND INSTALLED BY TMWA
ENCL-17x30-NT	1.0	ENCLOSURE NON-TRAFFIC 17 X 30 WATER METERS, SEE NOTE 3
ENCL-17x30-LID-NT	1.0	COVER NON-TRAFFIC 17 X 30, NON CONCRETE FIBRELYTE LID, SEE NOTE 3
ENCL-17x30-EXT-NT	1.0	EXTENSION BOX NON-TRAFFIC 17 X 30, SEE NOTE 3
INSL-BLKT-4x4	1.0	BLANKET INSULATION 4' X 4' FOR WATER METERS
RDWD-BRD-2X6X36	2.0	BOARD - REDWOOD 2" X 6" X 36"
IDLR-2.00	1.0	IDLER WATER METER 2" SETTER
BOLTS	4.0	BOLT COPPER #651 SILICONE BRONZE 5/8" X 2-1/2" WITH 2 FLAT WASHERS & NUTS
ERT	1.0	REMOTE TRANSMITTER - SUPPLIED AND INSTALLED BY TMWA



DATE	6/2004
REV	7/2011

APPENDIX 10AK
 WATER METERS - SMALL
 NEW RESIDENTIAL INSTALLATION
 2" SINGLE SERVICE
 FOR 2" SETTER WITH ANGLE CHECK,
 METER AND TRANSMITTER

DRAWING NUMBER	10K-5
----------------	-------

MINIMUM OF 2"
BETWEEN BOTTOM
OF ENCLOSURE AND
TOP OF
TRANSMITTER

SEE NOTE 4 FOR
HEIGH OF METER
ENCLOSURE

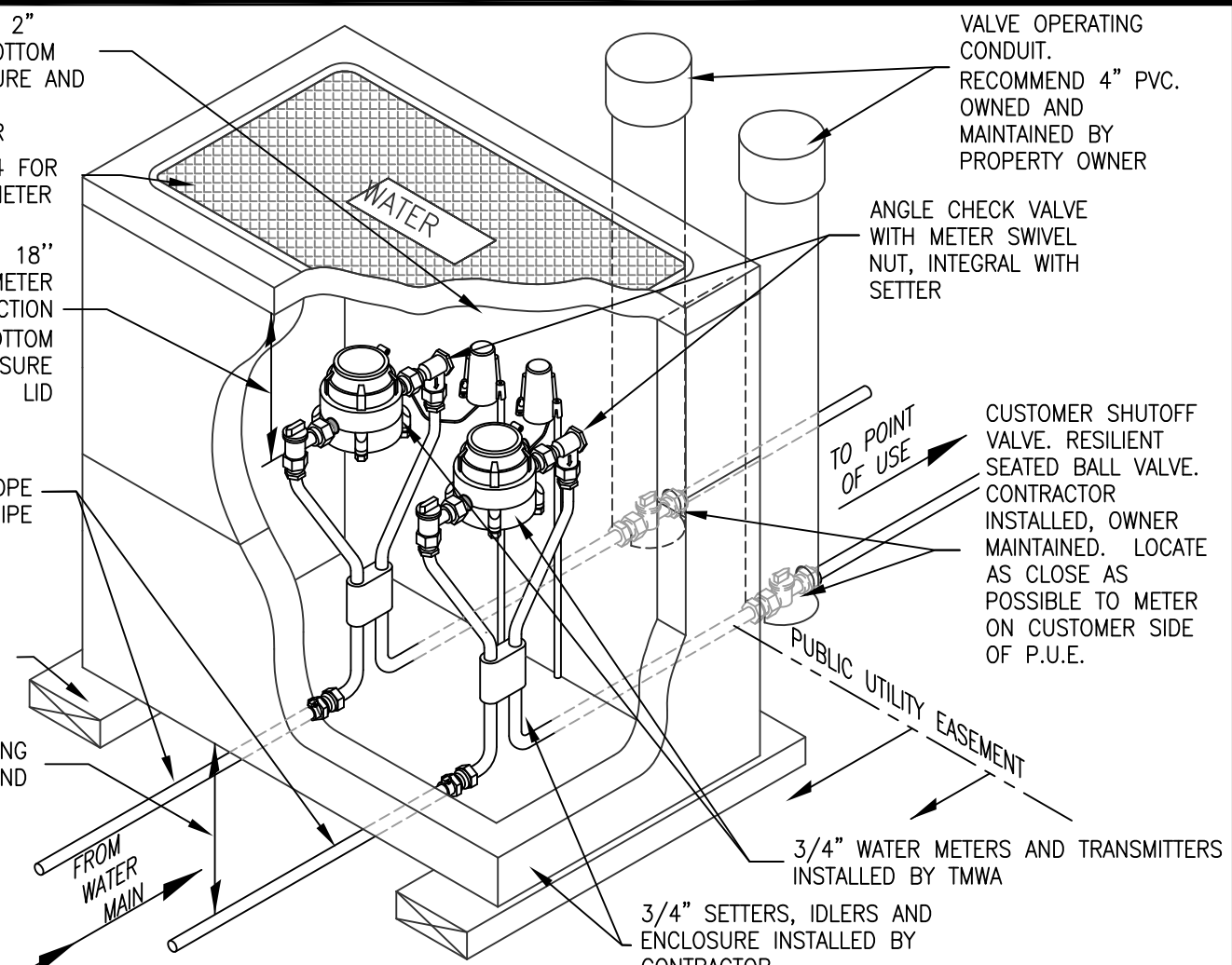
16" - 18"
FROM METER
CONNECTION
C/L TO BOTTOM
OF ENCLOSURE
LID

1" CTS HDPE
SERVICE PIPE

2"x 6"x 24"
REDWOOD

12" BEDDING
SAND

FROM
WATER
MAIN



VALVE OPERATING
CONDUIT.
RECOMMEND 4" PVC.
OWNED AND
MAINTAINED BY
PROPERTY OWNER

ANGLE CHECK VALVE
WITH METER SWIVEL
NUT, INTEGRAL WITH
SETTER

CUSTOMER SHUTOFF
VALVE. RESILIENT
SEATED BALL VALVE.
CONTRACTOR
INSTALLED, OWNER
MAINTAINED. LOCATE
AS CLOSE AS
POSSIBLE TO METER
ON CUSTOMER SIDE
OF P.U.E.

TO POINT
OF USE

PUBLIC UTILITY EASEMENT

3/4" WATER METERS AND TRANSMITTERS
INSTALLED BY TMWA

3/4" SETTERS, IDLERS AND
ENCLOSURE INSTALLED BY
CONTRACTOR

NOTES:

1. THERMAL EXPANSION PROTECTION IS REQUIRED IN ANY DOMESTIC WATER SUPPLY SYSTEM THAT IS DOWNSTREAM FROM A BACKFLOW PREVENTION DEVICE. REFERENCE: UNIFORM PLUMBING CODE.
2. METER AND TRANSMITTER SUPPLIED AND INSTALLED BY TMWA.
3. FOR DRIVEWAY OR TRAFFIC AREAS USE 17X30 ENCLOSURE APPROVED FOR TRAFFIC RATED H/20 LOADING. SEE DETAIL 10K-18.
4. TOP OF METER ENCLOSURE SHALL BE SET 0.2 FEET ABOVE HIGHEST FINISHED GRADE SURROUNDING ENCLOSURE WITHIN LANDSCAPED AREAS, AND SHALL BE SET FLUSH WITH SURROUNDING FINISH GRADE IN TRAFFIC AREAS.
5. ENCLOSURE TO BE BACKFILLED WITH WATER PIPE BEDDING SAND ONLY, SEE SECTION 5, TRENCH BEDDING & BACKFILL.
6. BLANKET TO BE INSTALLED ABOVE METER AND BELOW TRANSMITTER.

MATERIAL LIST

ITEM ID	QTY.	DESCRIPTION
MS-CHK-0.75	2.0	SETTER WATER METER, WITH ANGLE CHECK VALVE, NEW 3/4" MIP ENDS
WSC-1.00x0.75-CTSxFIP	2.0	COUPLING SERVICE 1" CTS COMPRESSION X 3/4" FIP
SSL-1.00	2.0	LINER RIGID STAINLESS STEEL FOR 1" CTS HDPE TUBING
GSKT-0.75	4.0	GASKET-3/4" FOR WATER METER
WM-DISC-0.75	2.0	3/4" WATER METER - SUPPLIED AND INSTALLED BY TMWA
ENCL-17x30-NT	1.0	ENCLOSURE NON-TRAFFIC 17 X 30 WATER METERS, SEE NOTE 3
ENCL-17x30-LID-NT	1.0	COVER NON-TRAFFIC 17 X 30, NON CONCRETE FIBRELYTE LID, SEE NOTE 3
ENCL-17x30-EXT-NT	1.0	EXTENSION BOX NON-TRAFFIC 17 X 30, SEE NOTE 3
INSL-BLKT-4x4	1.0	BLANKET INSULATION 4' X 4' FOR WATER METERS
RDWD-BRD-2x6x24	2.0	BOARD - REDWOOD 2" X 6" X 24"
IDLR-0.75	2.0	IDLER WATER METER 3/4" SETTER
ERT	2.0	REMOTE TRANSMITTER - SUPPLIED AND INSTALLED BY TMWA



DATE

6/2004

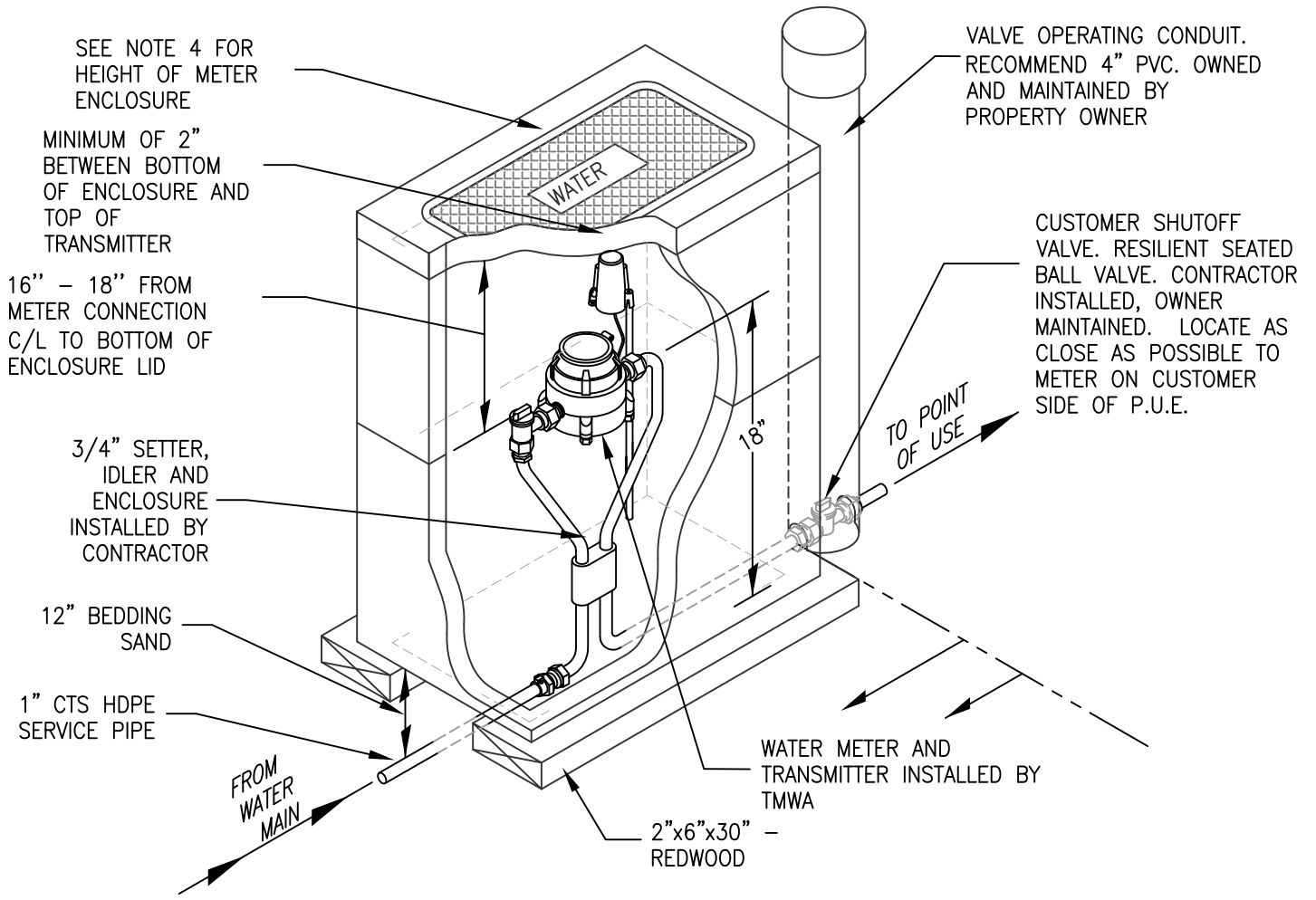
REV

7/2011

APPENDIX 10K
WATER METERS-SMALL
NEW RESIDENTIAL INSTALLATION
1" DUAL SERVICE
FOR 3/4" SETTER WITH ANGLE CHECK,
METER AND TRANSMITTER

DRAWING NUMBER

10K-6



NOTES:

1. THERMAL EXPANSION PROTECTION IS REQUIRED IN ANY DOMESTIC WATER SUPPLY SYSTEM THAT IS DOWNSTREAM FROM A BACKFLOW PREVENTION DEVICE. REFERENCE: UNIFORM PLUMBING CODE.
2. METER AND TRANSMITTER SUPPLIED AND INSTALLED BY TMWA.
3. FOR DRIVEWAY OR TRAFFIC AREAS USE 13X24 ENCLOSURE APPROVED FOR TRAFFIC RATED H/20 LOADING. SEE DETAIL 10K-17.
4. TOP OF METER ENCLOSURE SHALL BE SET 0.2 FEET ABOVE HIGHEST FINISHED GRADE SURROUNDING ENCLOSURE WITHIN LANDSCAPED AREAS, AND SHALL BE SET FLUSH WITH SURROUNDING FINISH GRADE IN TRAFFIC AREAS.
5. ENCLOSURE TO BE BACKFILLED WITH WATER PIPE BEDDING SAND ONLY, SEE SECTION 5, TRENCH BEDDING & BACKFILL.
6. BLANKET TO BE INSTALLED ABOVE METER AND BELOW TRANSMITTER.

MATERIAL LIST

ITEM ID	QTY.	DESCRIPTION
MS-0.75	1.0	SETTER WATER METER, NEW 3/4" MIP ENDS
WSC-1.00x0.75-CTSxFIP	1.0	COUPLING SERVICE 1" CTS COMPRESSION X 3/4" FIP
SSL-1.00	1.0	LINER RIGID STAINLESS STEEL FOR 1" CTS HDPE TUBING
GSKT-0.75	2.0	GASKET-3/4" FOR WATER METER
WM-DISC-0.75	1.0	3/4" WATER METER - SUPPLIED AND INSTALLED BY TMWA
ENCL-12x22-NT	1.0	ENCLOSURE NON-TRAFFIC 12 X 22 WATER METERS, SEE NOTE 3
ENCL-12x22-LID-NT	1.0	COVER NON-TRAFFIC 12 X 22, SEE NOTE 3
ENCL-12x22-EXT-NT	1.0	EXTENSION BOX NON-TRAFFIC 12 X 22, SEE NOTE 3
INSL-BLKT-4x4	1.0	BLANKET INSULATION 4' X 4' FOR WATER METERS
RDWD-BRD-2x6x30	2.0	BOARD - REDWOOD 2" X 6" X 30"
IDLR-0.75	1.0	IDLER WATER METER 3/4" SETTER - SUPPLIED AND INSTALLED BY CONTRACTOR
ERT	1.0	REMOTE TRANSMITTER - SUPPLIED AND INSTALLED BY TMWA

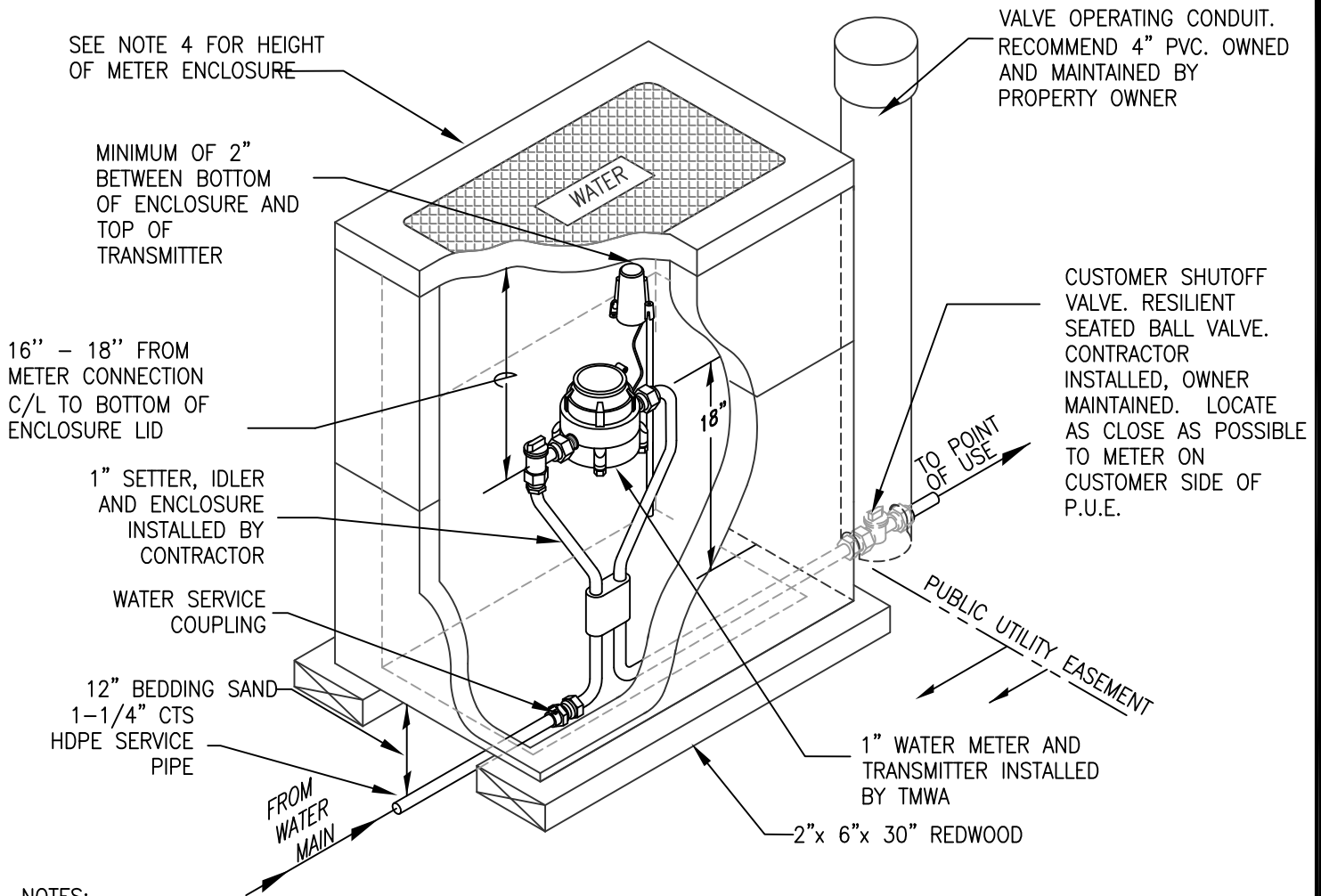


DATE
6/2004
REV
7/2011

APPENDIX 10K
 WATER METERS - SMALL
 NEW COMMERCIAL INSTALLATION
 1" SINGLE SERVICE
 FOR 3/4" SETTER, METER
 AND TRANSMITTER

DRAWING NUMBER

10K-7



NOTES:

1. THERMAL EXPANSION PROTECTION IS REQUIRED IN ANY DOMESTIC WATER SUPPLY SYSTEM THAT IS DOWNSTREAM FROM A BACKFLOW PREVENTION DEVICE. REFERENCE: UNIFORM PLUMBING CODE.
2. METER AND TRANSMITTER SUPPLIED AND INSTALLED BY TMWA.
3. FOR DRIVEWAY OR TRAFFIC AREAS USE 13x24 ENCLOSURE APPROVED FOR TRAFFIC RATED H/20 LOADING. SEE DETAIL 10K-17.
4. TOP OF METER ENCLOSURE SHALL BE SET 0.2 FEET ABOVE HIGHEST FINISHED GRADE SURROUNDING ENCLOSURE WITHIN LANDSCAPED AREAS, AND SHALL BE SET FLUSH WITH SURROUNDING FINISH GRADE IN TRAFFIC AREAS.
5. ENCLOSURE TO BE BACKFILLED WITH WATER PIPE BEDDING SAND ONLY, SEE SECTION 5, TRENCH BEDDING & BACKFILL.
6. BLANKET TO BE INSTALLED ABOVE METER AND BELOW TRANSMITTER.

MATERIAL LIST

ITEM ID	QTY.	DESCRIPTION
MS-1.00	1.0	SETTER WATER METER, NEW 1" MIP ENDS
WSC-1.25x1.00-CTSxFIP	1.0	COUPLING SERVICE 1-1/4" CTS COMPRESSION X 1" FIP
SSL-1.25	1.0	LINER RIGID STAINLESS STEEL FOR 1-1/4" CTS HDPE TUBING
GSKT-1.00	2.0	GASKET-1" FOR WATER METER
WM-DISC-1.00	1.0	1" WATER METER - SUPPLIED AND INSTALLED BY TMWA
ENCL-13x24-NT	1.0	ENCLOSURE NON-TRAFFIC 13 X 24 WATER METERS, SEE NOTE 3
ENCL-13x24-LID-NT	1.0	COVER NON-TRAFFIC 13 X 24, SEE NOTE 3
ENCL-13x24-EXT-NT	1.0	EXTENSION BOX NON-TRAFFIC 13 X 24, SEE NOTE 3
INSL-BLKT-4x4	1.0	BLANKET INSULATION 4' X 4' FOR WATER METERS
RDWD-BRD-2x6x30	2.0	BOARD - REDWOOD 2" X 6" X 30"
IDLR-1.00	1.0	IDLER WATER METER 1" SETTER
ERT	1.0	REMOTE TRANSMITTER - SUPPLIED AND INSTALLED BY TMWA



DATE

6/2004

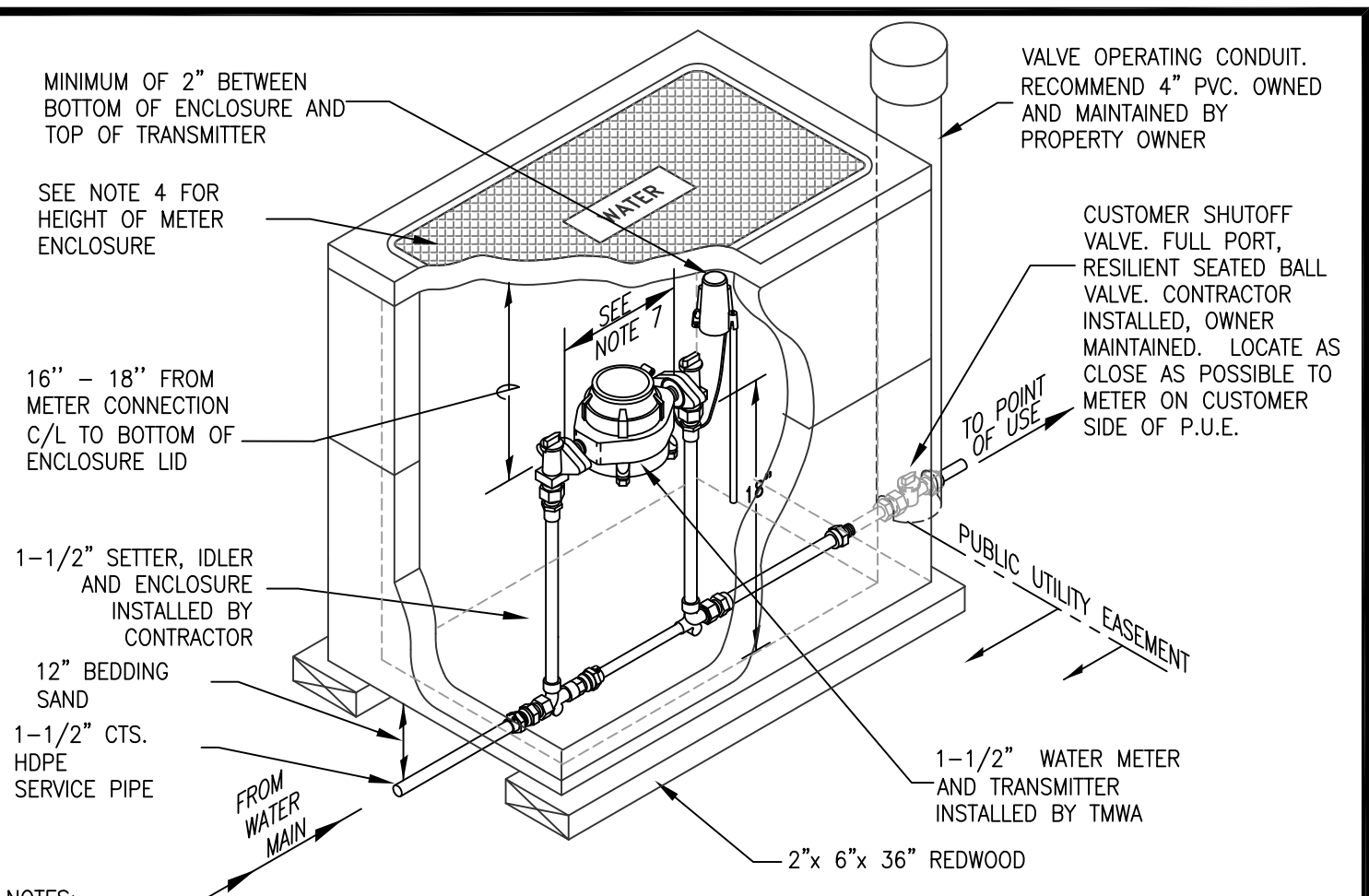
REV

7/2011

APPENDIX 10K
 WATER METERS - SMALL
 NEW COMMERCIAL INSTALLATION
 1-1/4" SINGLE SERVICE
 FOR 1" SETTER, METER
 AND TRANSMITTER

DRAWING NUMBER

10K-8



NOTES:

1. THERMAL EXPANSION PROTECTION IS REQUIRED IN ANY DOMESTIC WATER SUPPLY SYSTEM THAT IS DOWNSTREAM FROM A BACKFLOW PREVENTION DEVICE. REFERENCE: UNIFORM PLUMBING CODE.
2. METER AND TRANSMITTER SUPPLIED AND INSTALLED BY TMWA.
3. FOR DRIVEWAY OR TRAFFIC AREAS USE 17x30 ENCLOSURE APPROVED FOR TRAFFIC RATED H/20 LOADING. SEE DETAIL 10K-18.
4. TOP OF METER ENCLOSURE SHALL BE SET 0.2 FEET ABOVE HIGHEST FINISHED GRADE SURROUNDING ENCLOSURE WITHIN LANDSCAPED AREAS, AND SHALL BE SET FLUSH WITH SURROUNDING FINISH GRADE IN TRAFFIC AREAS.
5. ENCLOSURE TO BE BACKFILLED WITH WATER PIPE BEDDING SAND ONLY, SEE SECTION 5, TRENCH BEDDING & BACKFILL.
6. BLANKET TO BE INSTALLED ABOVE METER AND BELOW TRANSMITTER.
7. DISTANCE BETWEEN FLANGES TO BE 13.25"

MATERIAL LIST

ITEM ID	QTY.	DESCRIPTION
MS-1.50	1.0	SETTER WATER METER, NEW 1-1/2" FIP ENDS
WSC-1.50x1.50-CTSxMIP	1.0	COUPLING SERVICE 1-1/2" CTS COMPRESSION X 1-1/2" MIP
SSL-1.50	1.0	LINER RIGID STAINLESS STEEL FOR 1-1/2" CTS HDPE TUBING
GSKT-1.50	2.0	GASKET-1-1/2" FOR WATER METER
WM-DISC-1.50	1.0	1-1/2" WATER METER - SUPPLIED AND INSTALLED BY TMWA
ENCL-17x30-NT	1.0	ENCLOSURE NON-TRAFFIC 17 X 30 WATER METERS, SEE NOTE 3
ENCL-17x30-LID-NT	1.0	COVER NON-TRAFFIC 17 X 30, NON CONCRETE FIBRELYTE LID, SEE NOTE 3
ENCL-17x30-EXT-NT	1.0	EXTENSION BOX NON-TRAFFIC 17 X 30, SEE NOTE 3
INSL-BLKT-4x4	1.0	BLANKET INSULATION 4' X 4' FOR WATER METERS
RDWD-BRD-2X6X36	2.0	BOARD - REDWOOD 2" X 6" X 36"
IDLR-1.50	1.0	IDLER WATER METER 1-1/2" SETTER
BOLTS	4.0	BOLT COPPER #651 SILICONE BRONZE 5/8" X 2-1/2" WITH 2 FLAT WASHERS & NUTS
ERT	1.0	REMOTE TRANSMITTER - SUPPLIED AND INSTALLED BY TMWA

 <p>TRUCKEE MEADOWS WATER AUTHORITY</p>	DATE	6/2004	<p>APPENDIX 10K WATER METERS - SMALL NEW COMMERCIAL INSTALLATION 1-1/2" SINGLE SERVICE FOR 1-1/2" SETTER, METER, AND TRANSMITTER</p>	DRAWING NUMBER
	REV	7/2011		10K-9

MINIMUM OF 2"
BETWEEN BOTTOM
OF ENCLOSURE AND
TOP OF
TRANSMITTER

SEE NOTE 4 FOR
HEIGHT OF
METER
ENCLOSURE

16" - 18" FROM
METER CONNECTION
C/L TO BOTTOM OF
ENCLOSURE LID

2" SETTER, IDLER
AND ENCLOSURE
INSTALLED BY
CONTRACTOR

12" BEDDING
SAND

2" CTS HDPE
SERVICE PIPE

FROM
WATER
MAIN

SEE
NOTE 7

2" WATER METER AND
TRANSMITTER INSTALLED
BY TMWA

2"x 6"x 36" REDWOOD

VALVE OPERATING CONDUIT.
RECOMMEND 4" PVC. OWNED
AND MAINTAINED BY
PROPERTY OWNER

CUSTOMER SHUTOFF VALVE. FULL
PORT, RESILIENT SEATED BALL
VALVE. CONTRACTOR INSTALLED,
OWNER MAINTAINED. LOCATE AS
CLOSE AS POSSIBLE TO METER ON
CUSTOMER SIDE OF P.U.E.

TO POINT
OF USE

PUBLIC UTILITY EASEMENT

NOTES:

1. THERMAL EXPANSION PROTECTION IS REQUIRED IN ANY DOMESTIC WATER SUPPLY SYSTEM THAT IS DOWNSTREAM FROM A BACKFLOW PREVENTION DEVICE. REFERENCE: UNIFORM PLUMBING CODE.
2. METER AND TRANSMITTER SUPPLIED AND INSTALLED BY TMWA.
3. FOR DRIVEWAY OR TRAFFIC AREAS USE 17x30 ENCLOSURE APPROVED FOR TRAFFIC RATED H/20 LOADING. SEE DETAIL 10K-18.
4. TOP OF METER ENCLOSURE SHALL BE SET 0.2 FEET ABOVE HIGHEST FINISHED GRADE SURROUNDING ENCLOSURE WITHIN LANDSCAPED AREAS, AND SHALL BE SET FLUSH WITH SURROUNDING FINISH GRADE IN TRAFFIC AREAS.
5. ENCLOSURE TO BE BACKFILLED WITH WATER PIPE BEDDING SAND ONLY, SEE SECTION 5, TRENCH BEDDING & BACKFILL.
6. BLANKET TO BE INSTALLED ABOVE METER AND BELOW TRANSMITTER.
7. DISTANCE BETWEEN FLANGES SHALL BE 17.25".

MATERIAL LIST

ITEM ID	QTY.	DESCRIPTION
MS-2.00	1.0	SETTER WATER METER, NEW 2" FIP ENDS
WSC-2.00x2.00-CTSxMIP	1.0	COUPLING SERVICE 2" CTS COMPRESSION X 2" MIP
SSL-2.00	1.0	LINER RIGID STAINLESS STEEL FOR 2" CTS HDPE TUBING
GSKT-2.00	2.0	GASKET-2" FOR WATER METER
WM-DISC-2.00	1.0	2" WATER METER - SUPPLIED AND INSTALLED BY TMWA
ENCL-17x30-NT	1.0	ENCLOSURE NON-TRAFFIC 17 X 30 WATER METERS, SEE NOTE 3
ENCL-17x30-LID-NT	1.0	COVER NON-TRAFFIC 17 X 30, NON CONCRETE FIBRELYTE LID, SEE NOTE 3
ENCL-17x30-EXT-NT	1.0	EXTENSION BOX NON-TRAFFIC 17 X 30, SEE NOTE 3
INSL-BLKT-4x4	1.0	BLANKET INSULATION 4' X 4' FOR WATER METERS
RDWD-BRD-2X6X36	2.0	BOARD - REDWOOD 2" X 6" X 36"
IDLR-2.00	1.0	IDLER WATER METER 2" SETTER
BOLTS	4.0	BOLT COPPER #651 SILICONE BRONZE 5/8" X 2-1/2" WITH 2 FLAT WASHERS & NUTS
ERT	1.0	REMOTE TRANSMITTER - SUPPLIED AND INSTALLED BY TMWA



DATE

6/2004

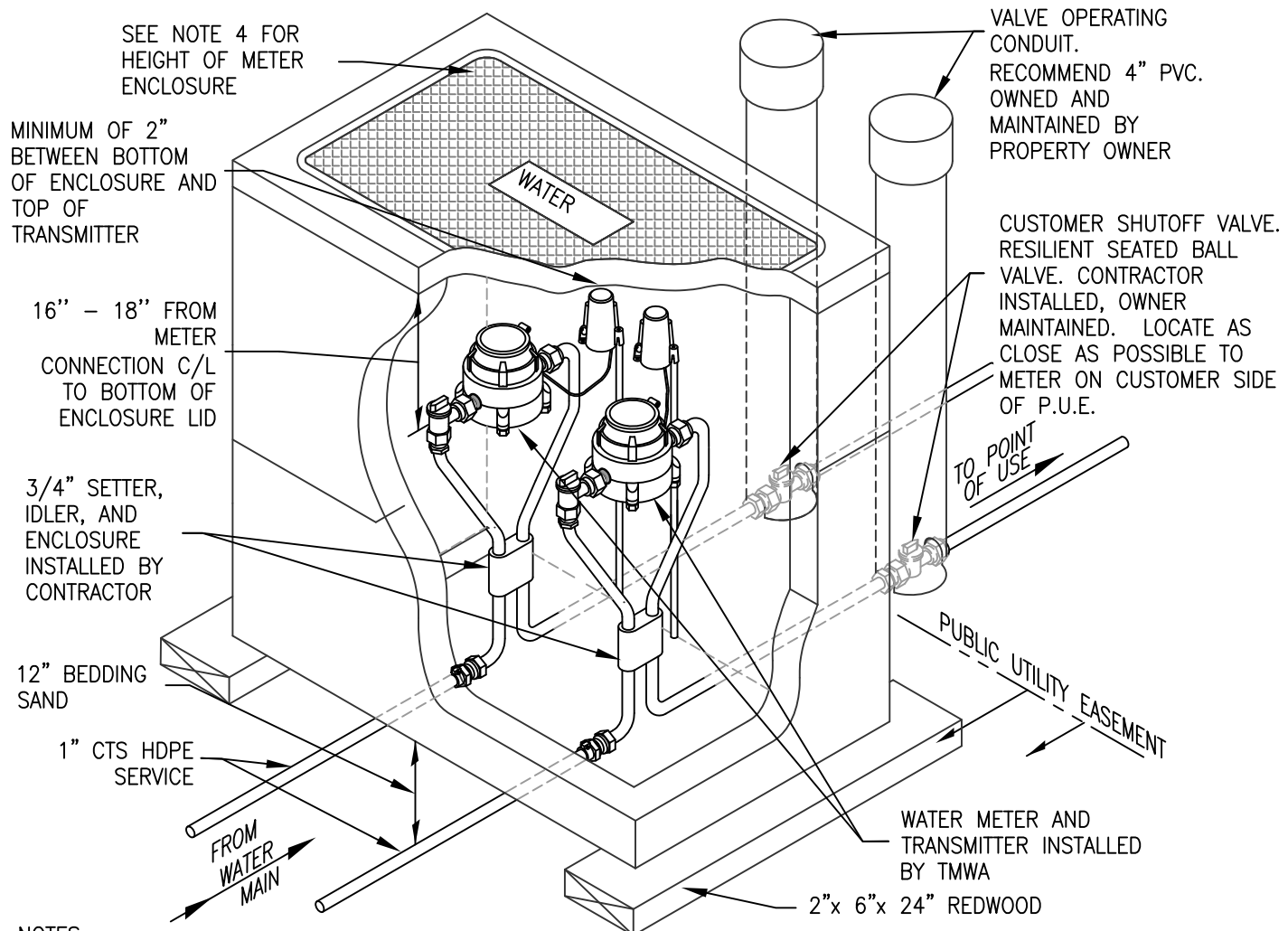
REV

7/2011

APPENDIX 10K
WATER METERS - SMALL
NEW COMMERCIAL INSTALLATION
2" SINGLE SERVICE
FOR 2" SETTER, METER,
AND TRANSMITTER

DRAWING NUMBER

10K-10



NOTES:

1. THERMAL EXPANSION PROTECTION IS REQUIRED IN ANY DOMESTIC WATER SUPPLY SYSTEM THAT IS DOWNSTREAM FROM A BACKFLOW PREVENTION DEVICE. REFERENCE: UNIFORM PLUMBING CODE.
2. METER AND TRANSMITTER SUPPLIED AND INSTALLED BY TMWA.
3. FOR DRIVEWAY OR TRAFFIC AREAS USE 17X30 ENCLOSURE APPROVED FOR TRAFFIC RATED H/20 LOADING. SEE DETAIL 10K-18.
4. TOP OF METER ENCLOSURE SHALL BE SET 0.2 FEET ABOVE HIGHEST FINISHED GRADE SURROUNDING ENCLOSURE WITHIN LANDSCAPED AREAS, AND SHALL BE SET FLUSH WITH SURROUNDING FINISH GRADE IN TRAFFIC AREAS.
5. ENCLOSURE TO BE BACKFILLED WITH WATER PIPE BEDDING SAND ONLY, SEE SECTION 5, TRENCH BEDDING & BACKFILL.
6. BLANKET TO BE INSTALLED ABOVE METER AND BELOW TRANSMITTER.

MATERIAL LIST

ITEM ID	QTY.	DESCRIPTION
MS-0.75	2.0	SETTER WATER METER, NEW 3/4" MIP ENDS
WSC-1.00x0.75-CTSxFIP	2.0	COUPLING SERVICE 1" CTS COMPRESSION X 3/4" FIP
SSL-1.00	2.0	LINER RIGID STAINLESS STEEL FOR 1" CTS HDPE TUBING
GSKT-0.75	4.0	GASKET-3/4" FOR WATER METER
WM-DISC-0.75	2.0	3/4" WATER METER - SUPPLIED AND INSTALLED BY TMWA
ENCL-17x30-NT	1.0	ENCLOSURE NON-TRAFFIC 17 X 30 WATER METERS, SEE NOTE 3
ENCL-17x30-LID-NT	1.0	COVER NON-TRAFFIC 17 X 30, NON CONCRETE FIBRELYTE LID, SEE NOTE 3
ENCL-17x30-EXT-NT	1.0	EXTENSION BOX NON-TRAFFIC 17 X 30, SEE NOTE 3
INSL-BLKT-4x4	1.0	BLANKET INSULATION 4' X 4' FOR WATER METERS
RDWD-BRD-2x6x24	2.0	BOARD - REDWOOD 2" X 6" X 24"
IDLR-0.75	2.0	IDLER WATER METER 3/4" SETTER
ERT	2.0	REMOTE TRANSMITTER - SUPPLIED AND INSTALLED BY TMWA



DATE

6/2004

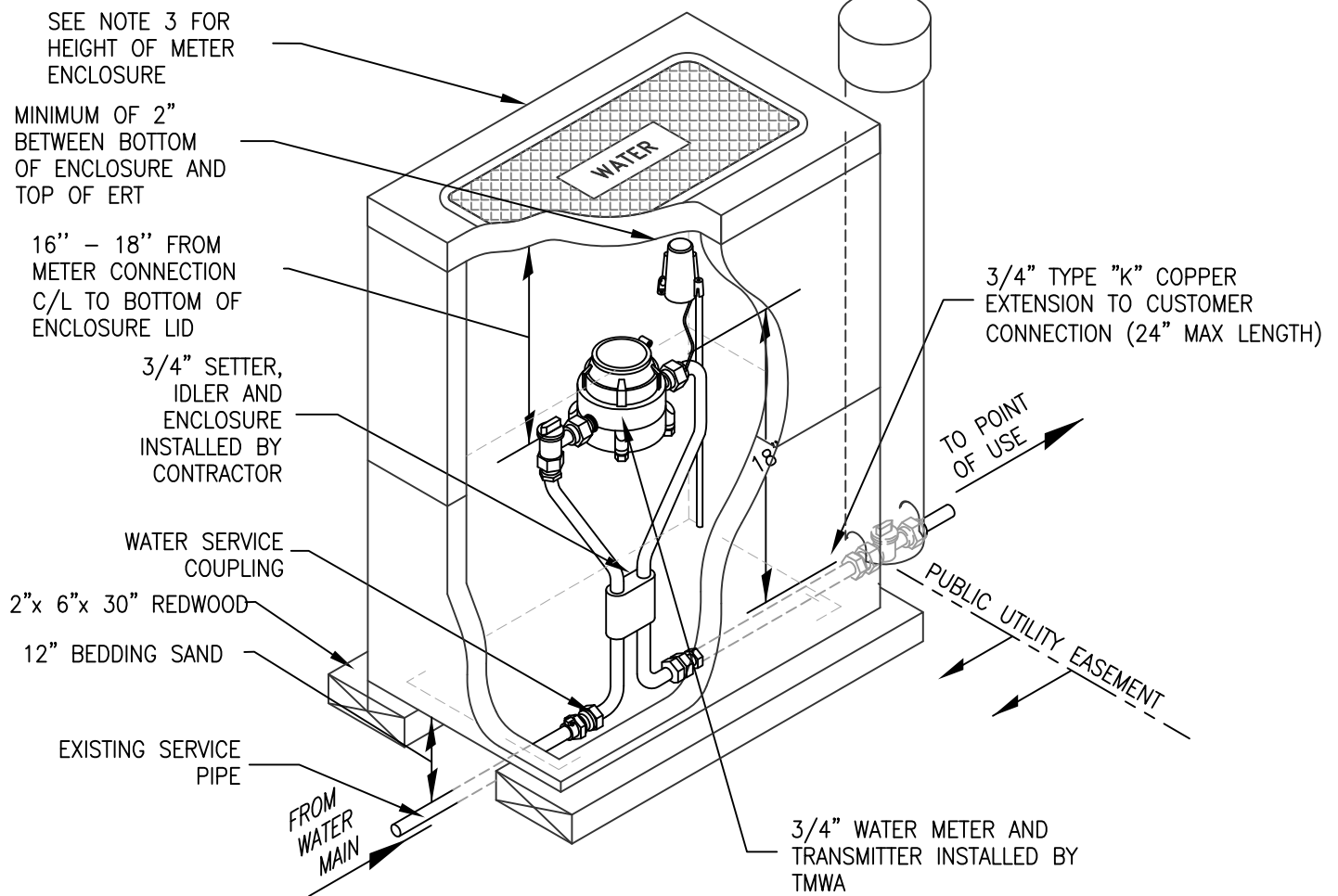
REV

7/2011

APPENDIX 10K
 WATER METERS - SMALL
 NEW COMMERCIAL INSTALLATION
 1" DUAL SERVICE
 FOR 3/4" SETTER, METER
 AND TRANSMITTER

DRAWING NUMBER

10K-11



NOTES:

1. METER AND TRANSMITTER SUPPLIED AND INSTALLED BY TMWA.
2. FOR DRIVEWAY OR TRAFFIC AREAS USE 13X24 ENCLOSURE APPROVED FOR TRAFFIC RATED H/20 LOADING. SEE DETAIL 10K-17.
3. TOP OF METER ENCLOSURE SHALL BE SET 0.2 FEET ABOVE HIGHEST FINISHED GRADE SURROUNDING ENCLOSURE WITHIN LANDSCAPED AREAS, AND SHALL BE SET FLUSH WITH SURROUNDING FINISH GRADE IN TRAFFIC AREAS.
4. ENCLOSURE TO BE BACKFILLED WITH WATER PIPE BEDDING SAND ONLY, SEE SECTION 5, TRENCH BEDDING & BACKFILL.
5. BLANKET TO BE INSTALLED ABOVE METER AND BELOW TRANSMITTER.
6. IF SERVICE LINE IS IRON PIPE, GALVANIZED OR BARE STEEL, INSTALL A DIELECTRIC UNION ON THE SETTER. USE A MALE ADAPTER TO CONNECT THE SERVICE LINE. COAT THE ADAPTER AND ONE FOOT OF SERVICE LINE WITH MASTIC.

MATERIAL LIST

ITEM ID	QTY.	DESCRIPTION
MS-0.75-RETRO	1.0	SETTER WATER METER- SUPPLIED BY TMWA
-	1.0	COUPLING SERVICE - BASED ON EXISTING SERVICE X 3/4" FIP
SSL-1.00	1.0	LINER RIGID STAINLESS STEEL FOR 1" CTS HDPE TUBING
GSKT-0.75	2.0	GASKET-3/4" FOR WATER METER
WM-DISC-0.75	1.0	3/4" WATER METER - SUPPLIED AND INSTALLED BY TMWA
ENCL-12x22-NT	1.0	ENCLOSURE NON-TRAFFIC 12 X 22 WATER METERS, SEE NOTE 2
ENCL-12x22-LID-NT	1.0	COVER NON-TRAFFIC 12 X 22, SEE NOTE 2
ENCL-12x22-EXT-NT	1.0	EXTENSION BOX NON-TRAFFIC 12 X 22, SEE NOTE 2
INSL-BLKT-4x4	1.0	BLANKET INSULATION 4' X 4' FOR WATER METERS
RDWD-BRD-2x6x30	2.0	BOARD - REDWOOD 2" X 6" X 30"
IDLR-0.75	1.0	IDLER WATER METER 3/4" SETTER
ERT	1.0	REMOTE TRANSMITTER - SUPPLIED AND INSTALLED BY TMWA



DATE

6/2004

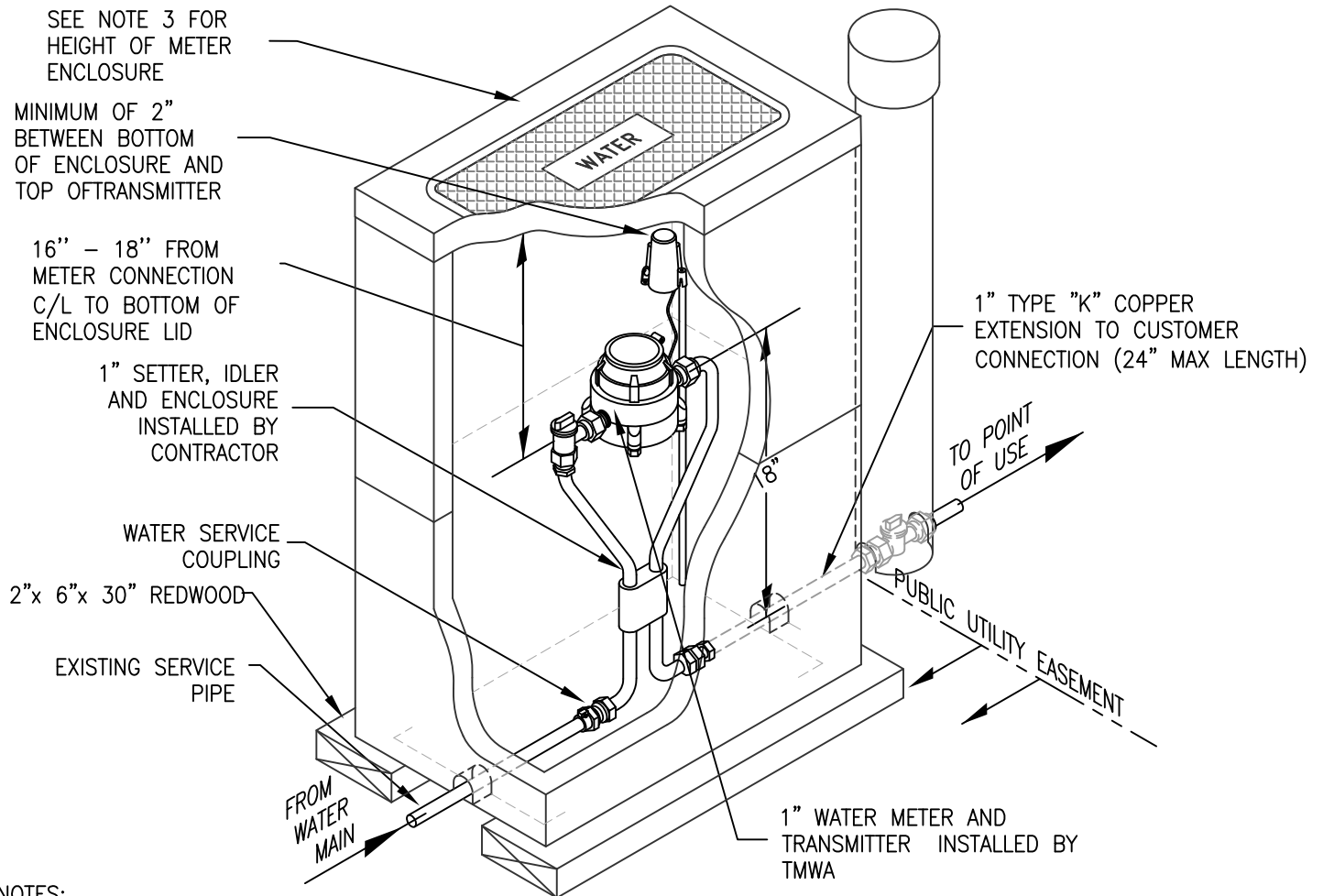
REV

7/2011

APPENDIX 10K
 WATER METERS - SMALL
 RETROFIT INSTALLATION
 1" SINGLE SERVICE
 FOR 3/4" SETTER, METER
 AND TRANSMITTER

DRAWING NUMBER

10K-12



NOTES:

1. METER AND TRANSMITTER SUPPLIED AND INSTALLED BY TMWA.
2. FOR DRIVEWAY OR TRAFFIC AREAS USE 13X24 ENCLOSURE APPROVED FOR TRAFFIC RATED H/20 LOADING. SEE DETAIL 10K-17.
3. TOP OF METER ENCLOSURE SHALL BE SET 0.2 FEET ABOVE HIGHEST FINISHED GRADE SURROUNDING ENCLOSURE WITHIN LANDSCAPED AREAS, AND SHALL BE SET FLUSH WITH SURROUNDING FINISH GRADE IN TRAFFIC AREAS.
4. ENCLOSURE TO BE BACKFILLED WITH WATER PIPE BEDDING SAND ONLY, SEE SECTION 5, TRENCH BEDDING & BACKFILL.
5. BLANKET TO BE INSTALLED ABOVE METER AND BELOW TRANSMITTER.
6. IF SERVICE LINE IS IRON PIPE, GALVANIZED OR BARE STEEL, INSTALL A DIELECTRIC UNION ON THE SETTER. USE A MALE ADAPTER TO CONNECT THE SERVICE LINE. COAT THE ADAPTER AND ONE FOOT OF SERVICE LINE WITH MASTIC.

MATERIAL LIST

ITEM ID	QTY.	DESCRIPTION
MS-1.00-RETRO	1.0	SETTER WATER METER- SUPPLIED BY TMWA
-	1.0	COUPLING SERVICE - BASED ON EXISTING SERVICE X 1" FIP
SSL-1.25	1.0	LINER RIGID STAINLESS STEEL FOR 1-1/4" CTS HDPE TUBING
GSKT-1.00	2.0	GASKET-1" FOR WATER METER
WM-DISC-1.00	1.0	1" WATER METER - SUPPLIED AND INSTALLED BY TMWA
ENCL-13x24-NT	1.0	ENCLOSURE NON-TRAFFIC 13 X 24 WATER METERS, SEE NOTE 2
ENCL-13 X 24-LID-NT	1.0	COVER NON-TRAFFIC 13 X 24, SEE NOTE 2
ENCL-13 X 24-EXT-NT	1.0	EXTENSION BOX NON-TRAFFIC 13 X 24, SEE NOTE 2
INSL-BLKT-4x4	1.0	BLANKET INSULATION 4' X 4' FOR WATER METERS
RDWD-BRD-2x6x30	2.0	BOARD - REDWOOD 2" X 6" X 30"
IDLR-1.00	1.0	IDLER WATER METER 1" SETTER
ERT	1.0	REMOTE TRANSMITTER - SUPPLIED AND INSTALLED BY TMWA



DATE

6/2004

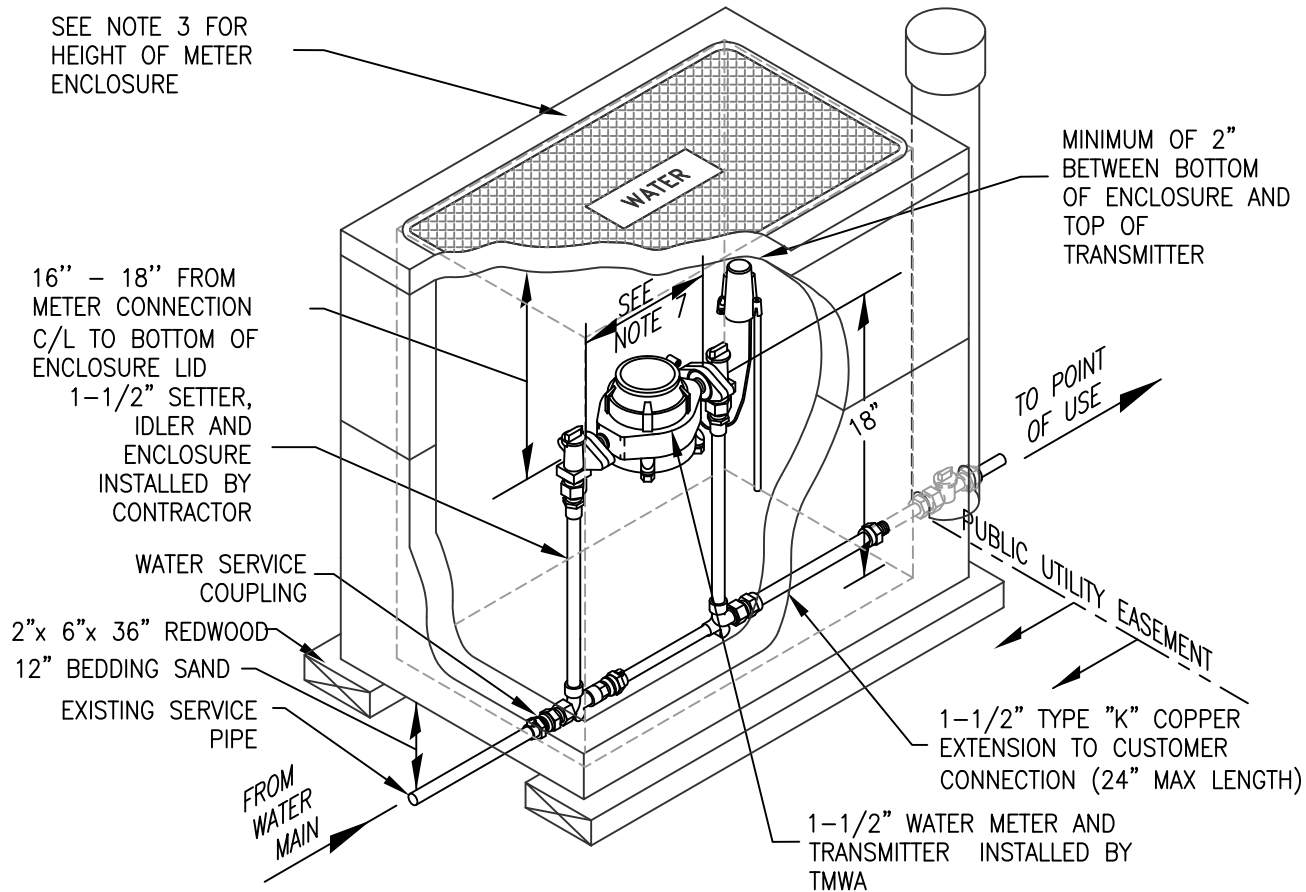
REV

7/2011

APPENDIX 10K
 WATER METERS - SMALL
 RETROFIT INSTALLATION
 1-1/4" SINGLE SERVICE
 FOR 1" SETTER, METER,
 AND TRANSMITTER

DRAWING NUMBER

10K-13



NOTES:

1. METER AND TRANSMITTER SUPPLIED AND INSTALLED BY TMWA.
2. FOR DRIVEWAY OR TRAFFIC AREAS USE 17X30 ENCLOSURE APPROVED FOR TRAFFIC RATED H/20 LOADING. SEE DETAIL 10K-18.
3. TOP OF METER ENCLOSURE SHALL BE SET 0.2 FEET ABOVE HIGHEST FINISHED GRADE SURROUNDING ENCLOSURE WITHIN LANDSCAPED AREAS, AND SHALL BE SET FLUSH WITH SURROUNDING FINISH GRADE IN TRAFFIC AREAS.
4. ENCLOSURE TO BE BACKFILLED WITH WATER PIPE BEDDING SAND ONLY, SEE SECTION 5, TRENCH BEDDING & BACKFILL.
5. BLANKET TO BE INSTALLED ABOVE METER AND BELOW TRANSMITTER.
6. IF SERVICE LINE IS IRON PIPE, GALVANIZED OR BARE STEEL, INSTALL A DIELECTRIC UNION ON THE SETTER. USE A MAKE ADAPTER TO CONNECT THE SERVICE LINE. COAT THE ADAPTER AND ONE FOOT OF SERVICE LINE WITH MASTIC.
7. DISTANCE BETWEEN FLANGES SHALL BE 13.25".

MATERIAL LIST

ITEM ID	QTY.	DESCRIPTION
MS-1.50-RETRO	1.0	SETTER WATER METER- SUPPLIED BY TMWA
-	1.0	COUPLING SERVICE - BASED ON EXISTING SERVICE X 1-1/2" MIP
SSL-1.50	1.0	LINER RIGID STAINLESS STEEL FOR 1-1/2" CTS HDPE TUBING
GSKT-1.50	2.0	GASKET-1-1/2" FOR WATER METER
WM-DISC-1.50	1.0	1-1/2" WATER METER - SUPPLIED AND INSTALLED BY TMWA
ENCL-17x30-NT	1.0	ENCLOSURE NON-TRAFFIC 17 X 30 WATER METERS, SEE NOTE 2
ENCL-17x30-LID-NT	1.0	COVER NON-TRAFFIC 17 X 30, NON CONCRETE FIBRELYTE LID, SEE NOTE 2
ENCL-17x30-EXT-NT	1.0	EXTENSION BOX NON-TRAFFIC 17 X 30, SEE NOTE 2
INSL-BLKT-4x4	1.0	BLANKET INSULATION 4' X 4' FOR WATER METERS
RDWD-BRD-2X6X36	2.0	BOARD - REDWOOD 2" X 6" X 36"
IDLR-1.50	1.0	IDLER WATER METER 1-1/2" SETTER
BOLTS	4.0	BOLT COPPER #651 SILICONE BRONZE 5/8" X 2-1/2" WITH 2 FLAT WASHERS & NUTS
ERT	1.0	REMOTE TRANSMITTER - SUPPLIED AND INSTALLED BY TMWA



DATE

6/2004

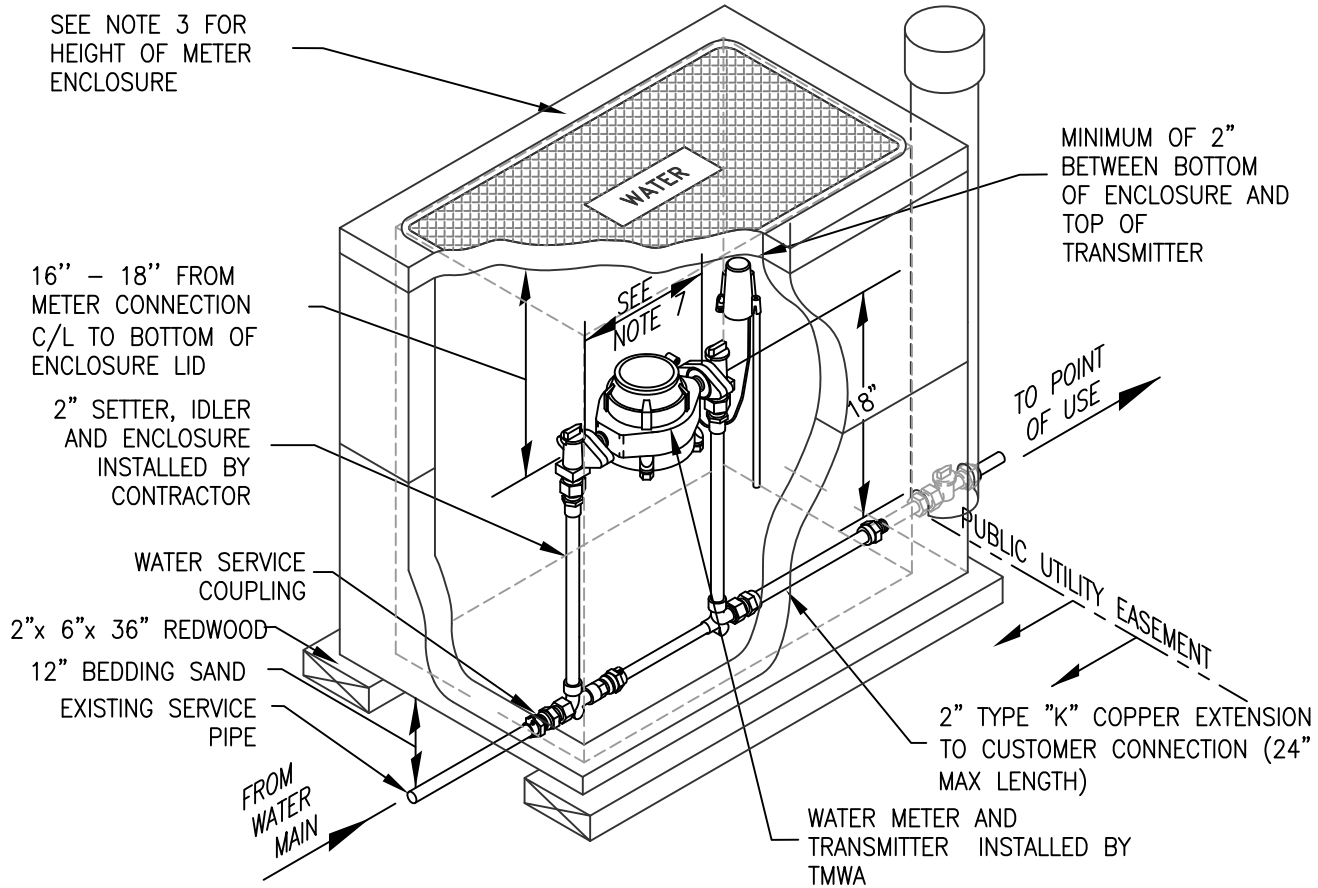
REV

7/2011

APPENDIX 10K
 WATER METERS - SMALL
 RETROFIT INSTALLATION
 1-1/2" SINGLE SERVICE
 FOR 1-1/2" SETTER, METER,
 AND TRANSMITTER

DRAWING NUMBER

10K-14



NOTES:

1. METER AND TRANSMITTER SUPPLIED AND INSTALLED BY TMWA.
2. FOR DRIVEWAY OR TRAFFIC AREAS USE 17X30 ENCLOSURE APPROVED FOR TRAFFIC RATED H/20 LOADING. SEE DETAIL 10K-18.
3. TOP OF METER ENCLOSURE SHALL BE SET 0.2 FEET ABOVE HIGHEST FINISHED GRADE SURROUNDING ENCLOSURE WITHIN LANDSCAPED AREAS, AND SHALL BE SET FLUSH WITH SURROUNDING FINISH GRADE IN TRAFFIC AREAS.
4. ENCLOSURE TO BE BACKFILLED WITH WATER PIPE BEDDING SAND ONLY, SEE SECTION 5, TRENCH BEDDING & BACKFILL.
5. BLANKET TO BE INSTALLED ABOVE METER AND BELOW TRANSMITTER.
6. IF SERVICE LINE IS IRON PIPE, GALVANIZED OR BARE STEEL, INSTALL A DIELECTRIC UNION ON THE SETTER. USE A MALE ADAPTER TO CONNECT THE SERVICE LINE. COAT THE ADAPTER AND ONE FOOT OF SERVICE LINE WITH MASTIC.
7. DISTANCE BETWEEN FLANGES SHALL BE 17.25".

MATERIAL LIST

ITEM ID	QTY.	DESCRIPTION
MS-2.00-RETRO	1.0	SETTER WATER METER- SUPPLIED BY TMWA
-	1.0	COUPLING SERVICE - BASED ON EXISTING SERVICE X 2" MIP
SSL-2.00	1.0	LINER RIGID STAINLESS STEEL FOR 2" CTS HDPE TUBING
GSKT-2.00	2.0	GASKET- 2" FOR WATER METER
WM-DISC-2.00	1.0	2" WATER METER - SUPPLIED AND INSTALLED BY TMWA
ENCL-17x30-NT	1.0	ENCLOSURE NON-TRAFFIC 17 X 30 WATER METERS, SEE NOTE 2
ENCL-17x30-LID-NT	1.0	COVER NON-TRAFFIC 17 X 30, NON CONCRETE FIBRELYTE LID, SEE NOTE 2
ENCL-17x30-EXT-NT	1.0	EXTENSION BOX NON-TRAFFIC 17 X 30, SEE NOTE 2
INSL-BLKT-4x4	1.0	BLANKET INSULATION 4' X 4' FOR WATER METERS
RDWD-BRD-2X6X36	2.0	BOARD - REDWOOD 2" X 6" X 36"
IDLR-2.00	1.0	IDLER WATER METER 2" SETTER
BOLTS	4.0	BOLT COPPER #651 SILICONE BRONZE 5/8" X 2-1/2" WITH 2 FLAT WASHERS & NUTS
ERT	1.0	REMOTE TRANSMITTER - SUPPLIED AND INSTALLED BY TMWA



DATE

6/2004

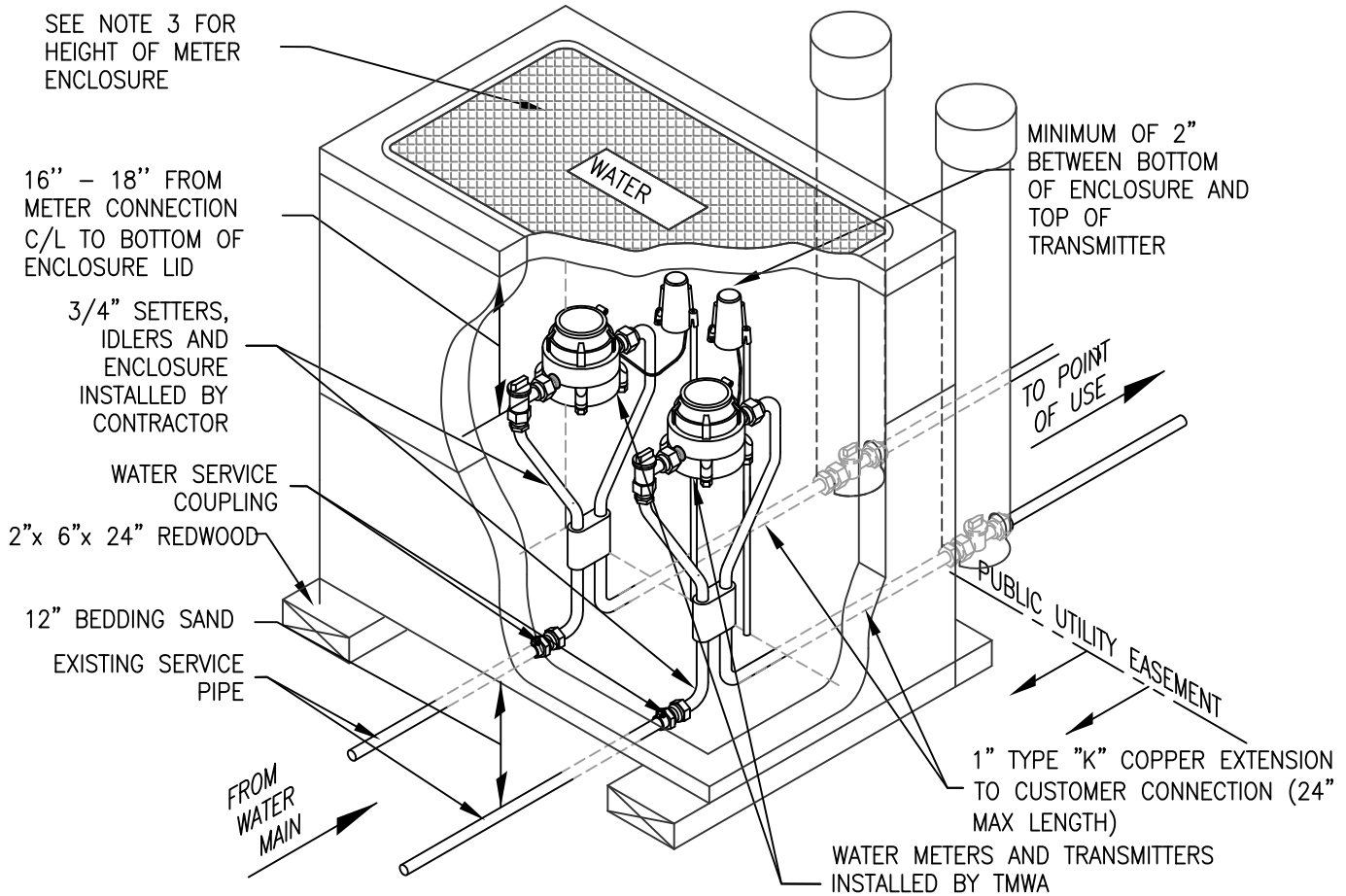
REV

7/2011

APPENDIX 10K
 WATER METERS - SMALL
 RETROFIT INSTALLATION
 2" SINGLE SERVICE
 FOR 2" SETTER, METER
 AND TRANSMITTER

DRAWING NUMBER

10K-15



NOTES:

1. METER AND TRANSMITTER SUPPLIED AND INSTALLED BY TMWA.
2. FOR DRIVEWAY OR TRAFFIC AREAS USE 17X30 ENCLOSURE APPROVED FOR TRAFFIC RATED H/20 LOADING. SEE DETAIL 10K-18.
3. TOP OF METER ENCLOSURE SHALL BE SET 0.2 FEET ABOVE HIGHEST FINISHED GRADE SURROUNDING ENCLOSURE WITHIN LANDSCAPED AREAS, AND SHALL BE SET FLUSH WITH SURROUNDING FINISH GRADE IN TRAFFIC AREAS.
4. ENCLOSURE TO BE BACKFILLED WITH WATER PIPE BEDDING SAND ONLY, SEE SECTION 5, TRENCH BEDDING & BACKFILL.
5. BLANKET TO BE INSTALLED ABOVE METER AND BELOW TRANSMITTER.
6. IF SERVICE LINE IS IRON PIPE, GALVANIZED OR BARE STEEL, INSTALL A DIELECTRIC UNION ON THE SETTER. USE A MALE ADAPTER TO CONNECT THE SERVICE LINE. COAT THE ADAPTER AND ONE FOOT OF SERVICE LINE WITH MASTIC.

MATERIAL LIST

ITEM ID	QTY.	DESCRIPTION
MS-0.75-RETRO	2.0	SETTER WATER METER, NEW 3/4" MIP ENDS
-	2.0	COUPLING SERVICE 1" CTS COMPRESSION X 3/4" FIP
SSL-1.00	2.0	LINER RIGID STAINLESS STEEL FOR 1" CTS HDPE TUBING
GSKT-0.75	4.0	GASKET-3/4" FOR WATER METER
WM-DISC-0.75	2.0	3/4" WATER METER - SUPPLIED AND INSTALLED BY TMWA
ENCL-17x30-NT	1.0	ENCLOSURE NON-TRAFFIC 17 X 30 WATER METERS, SEE NOTE 2
ENCL-17x30-LID-NT	1.0	COVER NON-TRAFFIC 17 X 30, NON CONCRETE FIBRELYTE LID, SEE NOTE 2
ENCL-17x30-EXT-NT	1.0	EXTENSION BOX NON-TRAFFIC 17 X 30, SEE NOTE 2
INSL-BLKT-4x4	1.0	BLANKET INSULATION 4' X 4' FOR WATER METERS
RDWD-BRD-2x6x24	2.0	BOARD - REDWOOD 2" X 6" X 24"
IDLR-0.75	2.0	IDLER WATER METER 3/4" SETTER
ERT	2.0	REMOTE TRANSMITTER - SUPPLIED AND INSTALLED BY TMWA



DATE

6/2004

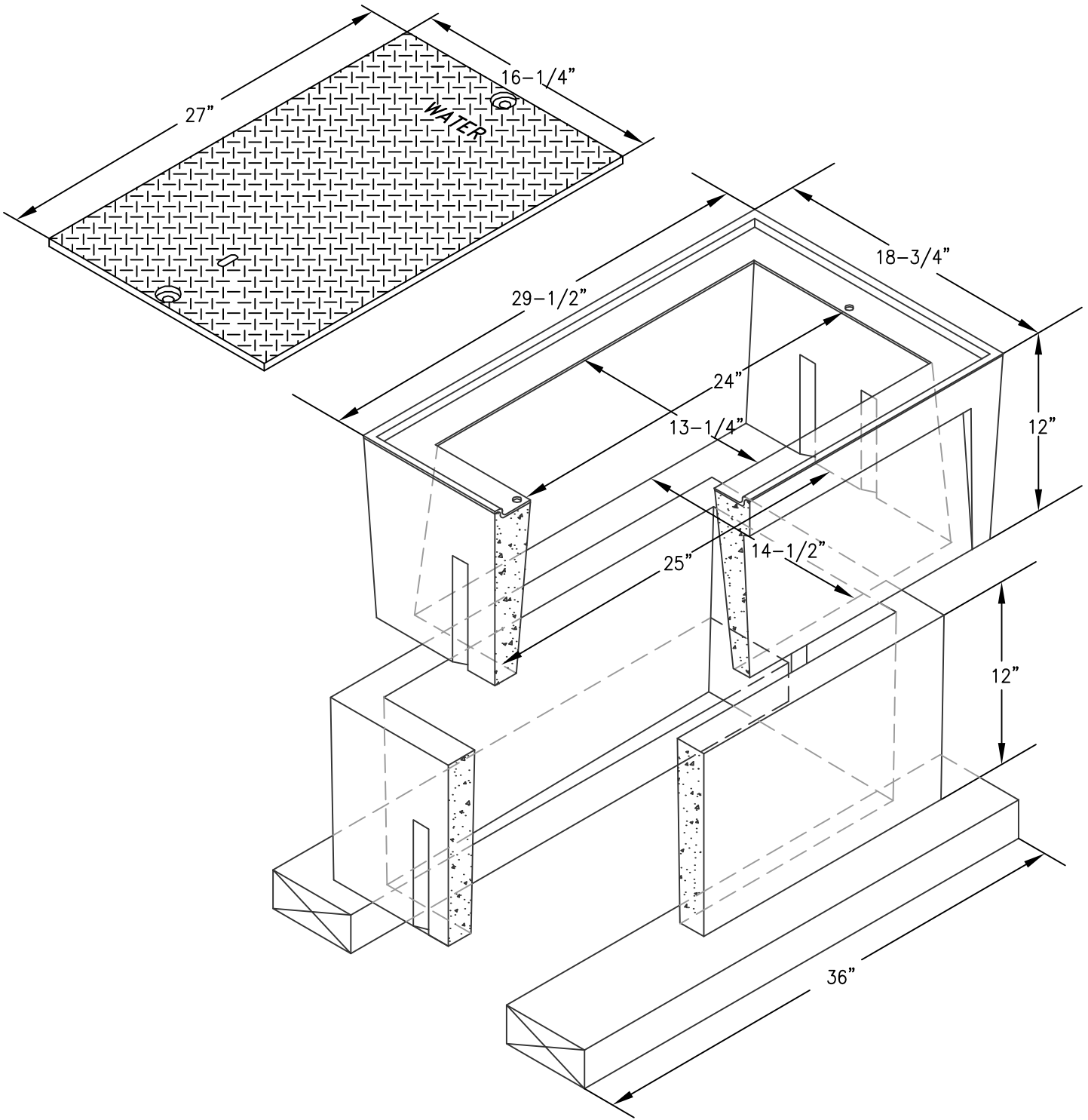
REV

7/2011

APPENDIX 10K
 WATER METERS - SMALL
 RETROFIT INSTALLATION
 1" DUAL SERVICE
 FOR 3/4" SETTER, METER
 AND TRANSMITTER

DRAWING NUMBER

10K-16



MATERIAL LIST

ITEM ID	QTY.	DESCRIPTION
ENCL-13x24	1.0	ENCLOSURE 13X24 TRAFFIC H/20 RATED
ENCL-13X24-LID	1.0	COVER 13X24 TRAFFIC H/20 RATED - MARKED "WATER"
ENCL-13X24-EXT	1.0	EXTENSION BOX 13X24 TRAFFIC H/20 RATED
RDWD-BRD-2X6X36	2.0	BOARD - REDWOOD 2" X 6" X 36"



DATE

6/2004

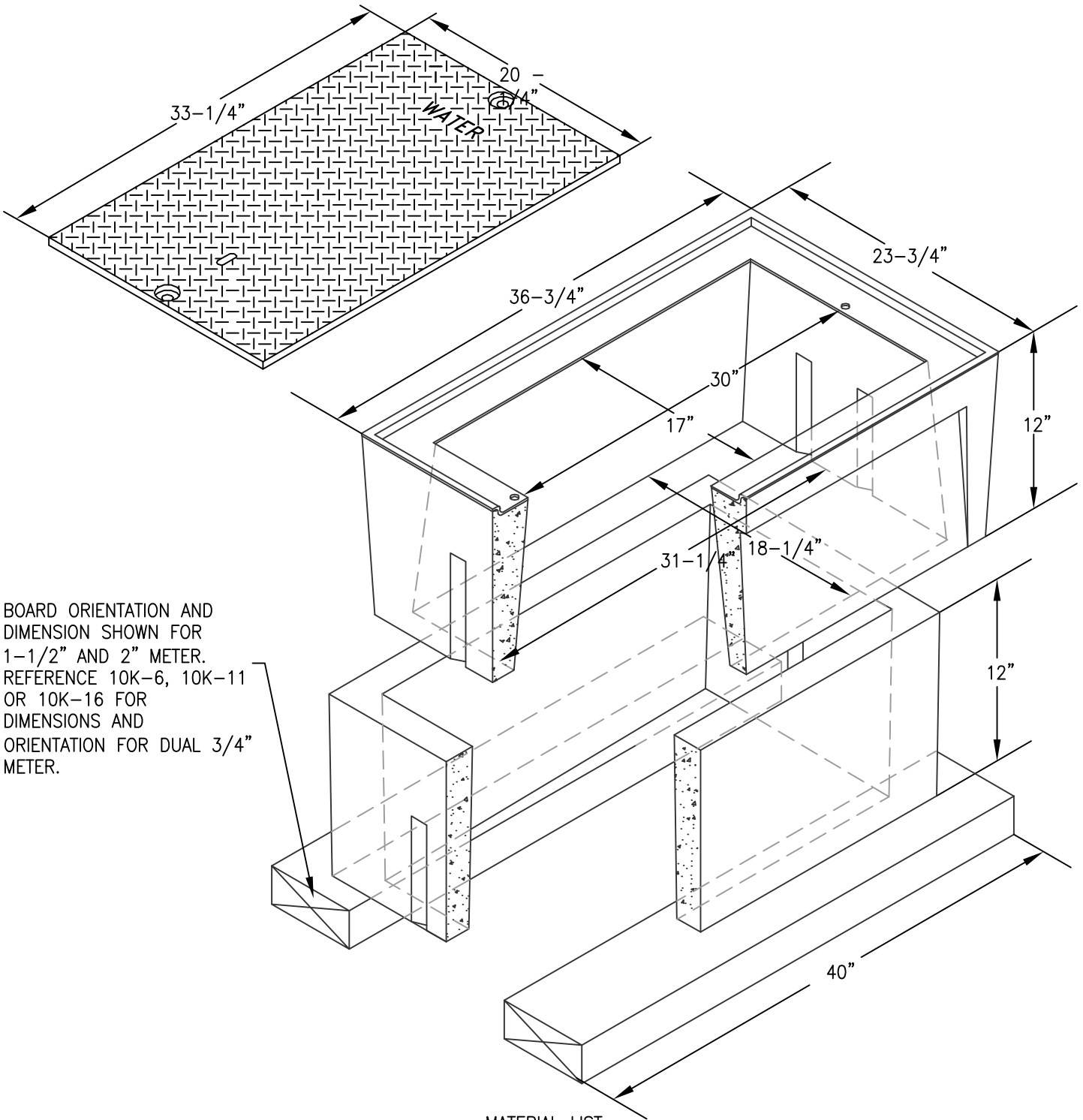
REV

7/2011

APPENDIX 10K
WATER METERS - SMALL
NEW INSTALLATION
13X24 ENCLOSURE
TRAFFIC RATED

DRAWING NUMBER

10K-17



BOARD ORIENTATION AND DIMENSION SHOWN FOR 1-1/2" AND 2" METER. REFERENCE 10K-6, 10K-11 OR 10K-16 FOR DIMENSIONS AND ORIENTATION FOR DUAL 3/4" METER.

MATERIAL LIST

ITEM ID	QTY.	DESCRIPTION
ENCL-17X30	1.0	ENCLOSURE 17X30 TRAFFIC H/20 RATED
ENCL-17X30-LID	1.0	COVER 17X30 TRAFFIC H/20 RATED - MARKED "WATER"
ENCL-17X30-EXT	1.0	EXTENSION BOX 17X30 TRAFFIC H/20 RATED
RDWD-BRD-2X6X40	2.0	BOARD - REDWOOD 2" X 6" X 40"



DATE
6/2004
REV
7/2011

APPENDIX 10K
 WATER METERS - SMALL
 NEW INSTALLATION
 17X30 ENCLOSURE
 TRAFFIC RATED

DRAWING NUMBER

10K-18