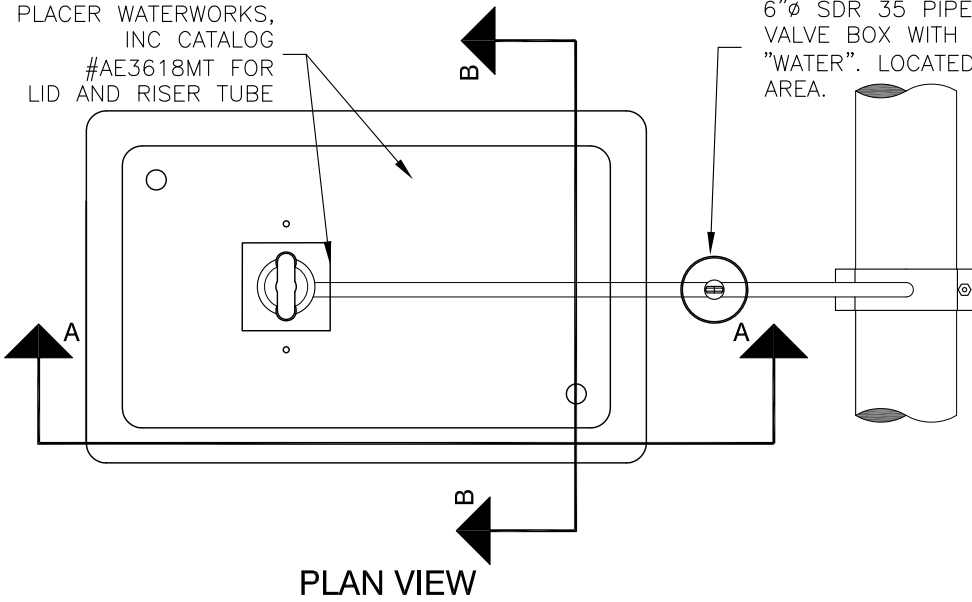
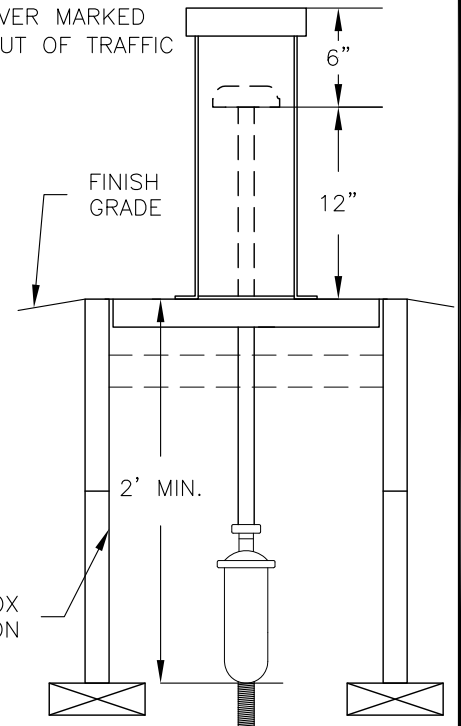


PLACER WATERWORKS,  
INC CATALOG  
#AE3618MT FOR  
LID AND RISER TUBE

6"Ø SDR 35 PIPE WITH CAST IRON  
VALVE BOX WITH COVER MARKED  
"WATER". LOCATED OUT OF TRAFFIC  
AREA.



**PLAN VIEW**



**SECTION B-B**

CHRISTY N36 BOX  
WITH EXTENSION

1" SCREW-IN SCREENED VENT. NON-  
CORROSIVE SCREEN SHALL BE  
22-24 MESH PER INCH.

1"Ø BRASS OR TYPE K COPPER

3/16" HIGH OPENING  
ALONG 2 SIDES OF  
UPRIGHT AT BASE

2" RIGID  
INSULATION

6" MAX.

1" COMBINATION AIR  
VALVE SINGLE BODY  
FOR PRESSURES UP  
TO 150 PSI. VALVE  
TO MEET AWWA C512.

SEE  
NOTE 4

1"Ø BRASS  
NIPPLE

CRUSHED  
AGGREGATE  
BASE COURSE

6" MIN.

2 - 2"x6"x40"  
REDWOOD BOARD

1"Ø BRASS NIPPLE  
OR TYPE K COPPER

SLOPE

1" SDR 9 CTS HDPE  
MIP x COMPRESSION

1"Ø COMPRESSION  
x FIP CURB VALVE  
NO HAND WHEEL

1" FIP x FIP 90°  
ELBOW

1" - MIP x MIP  
CORP STOP

WATER MAIN  
WITH 1" SERVICE  
TAP WITH SADDLE

**NOTES**

1. REFER TO APPENDIX 10H FOR SERVICE TAP INSTALLATION.
2. REFER TO 10L-6 FOR TRENCH BEDDING AROUND HDPE PORTION OF THIS DETAIL. BEDDING SAND TO BE USED UNLESS OTHERWISE CALLED FOR.
3. TOP OF ENCLOSURE AND VALVE CAP SHALL BE SET 0.2 FEET ABOVE HIGHEST FINISHED GRADE SURROUNDING ENCLOSURE WITH LANDSCAPE AREAS.
4. PLACE TYPE 2 CLASS B CRUSHED AGGREGATE BASE WITHIN BOX TO EXTEND HALF WAY UP BODY OF THE ARV AND EXTEND UNDER BOX TO A DEPTH OF 6" BELOW THE BRASS NIPPLE/COPPER TUBE. BASE TO EXTEND FROM THE ARV TO THE CURB VALVE AND BEYOND THE EXTENTS OF THE ENCLOSURE FOR 6-INCHES.

**SECTION A-A**



DATE

7/2005

REV

9/2016

APPENDIX 10L  
COMBINATION AIR RELEASE VALVE

DRAWING NUMBER

10L-4