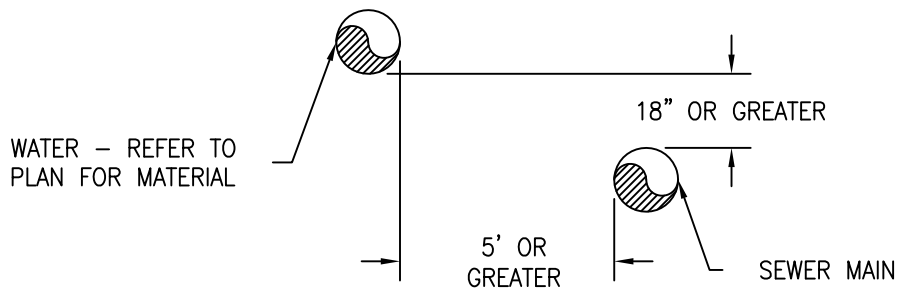
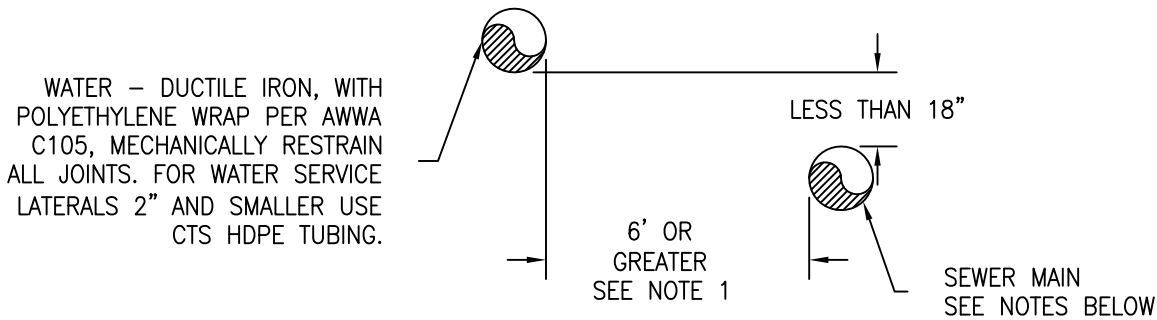


OPTION 1



OPTION 2



OPTION 3

NOTES:

1. IF SEPARATION IS 10 FEET OR MORE USE OPTION 1.
2. NON-PRESSURIZED SEWER MAINS SHALL BE SDR 35 PVC. IF SEWER MAINS ARE NON SDR 35 PVC, SEWER MAINS SHALL BE ENCASED IN 4" OF EXCAVATABLE SLURRY, USE EXTERNAL JOINT SEALANT OR OTHER MITIGATION TO ENSURE JOINTS ARE WATERTIGHT. WHERE THE SEWER MAINS ARE PRESSURIZED, THE SEWER MAINS SHALL HAVE MECHANICALLY RESTRAINED JOINTS OR SHALL USE WELDED OR FUSED PIPE.
3. FOR STORM SEWER MAINS WITH A DIAMETER OF 24" OR LARGER, THE SEWER MAINS SHALL BE INSTALLED WITH WATER TIGHT JOINTS THAT USE JOINT SEALANTS OR JOINT GASKETS.



DATE

02/2014

REV

APPENDIX 10L
MISCELLANEOUS WATER DETAILS
WATER MAIN OR
WATER SERVICE LATERAL
PARALLEL TO SEWER MAIN

DRAWING NUMBER

10L-10