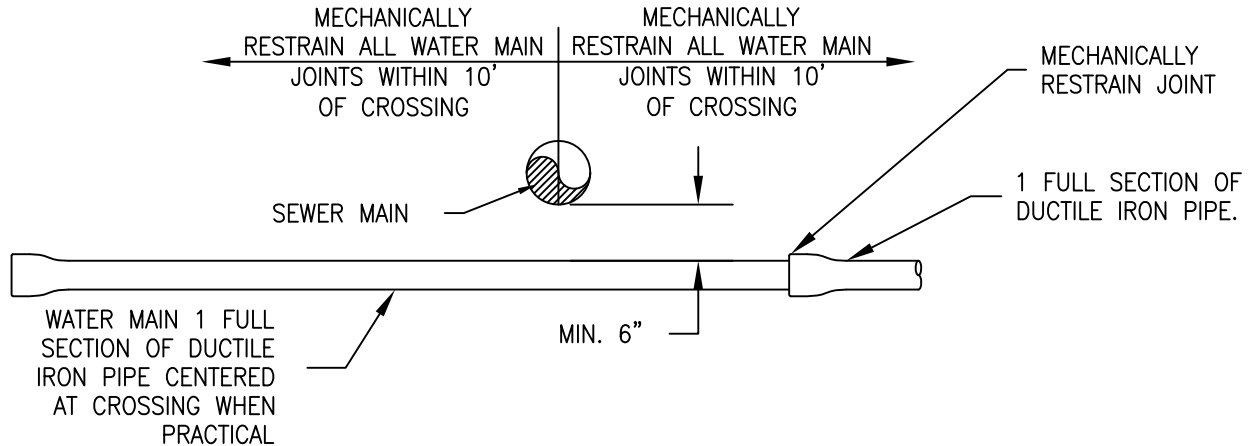
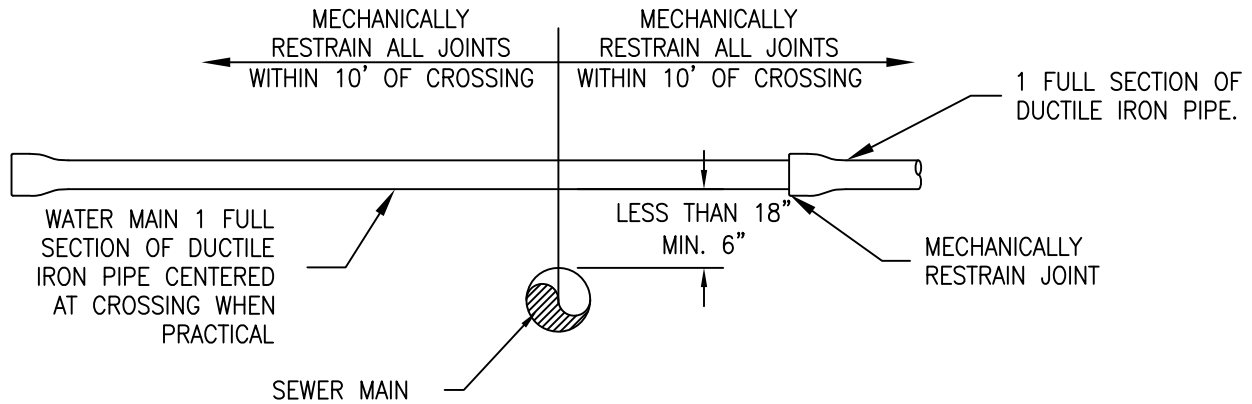


OPTION 1



-- OR --



OPTION 2

NOTES:

1. OPTION 1 SHOULD BE UTILIZED WHEN POSSIBLE.
2. NON-PRESSURIZED SEWER MAINS SHALL BE SDR 35 PVC. IF SEWER MAINS ARE NON SDR 35 PVC, SEWER MAINS SHALL BE ENCASED IN 4" OF EXCAVATABLE SLURRY, USE EXTERNAL JOINT SEALANT OR OTHER MITIGATION TO ENSURE JOINTS ARE WATERTIGHT. WHERE THE SEWER MAINS ARE PRESSURIZED THE SEWER MAINS SHALL HAVE MECHANICALLY RESTRAINED JOINTS OR SHALL USE WELDED OR FUSED PIPE.
3. ALL MECHANICALLY RESTRAINED WATER PIPES SHALL BE DUCTILE IRON WITH POLYETHYLENE WRAP PER AWWA C105.



DATE
02/2014
REV

APPENDIX 10L  
MISCELLANEOUS WATER DETAILS  
WATER MAIN CROSSING SEWER MAIN

DRAWING NUMBER

10L-11